

Electrical Equipment and Components for Wind Turbines

1 Windsensors, Anemometers

2 Obstruction Lights

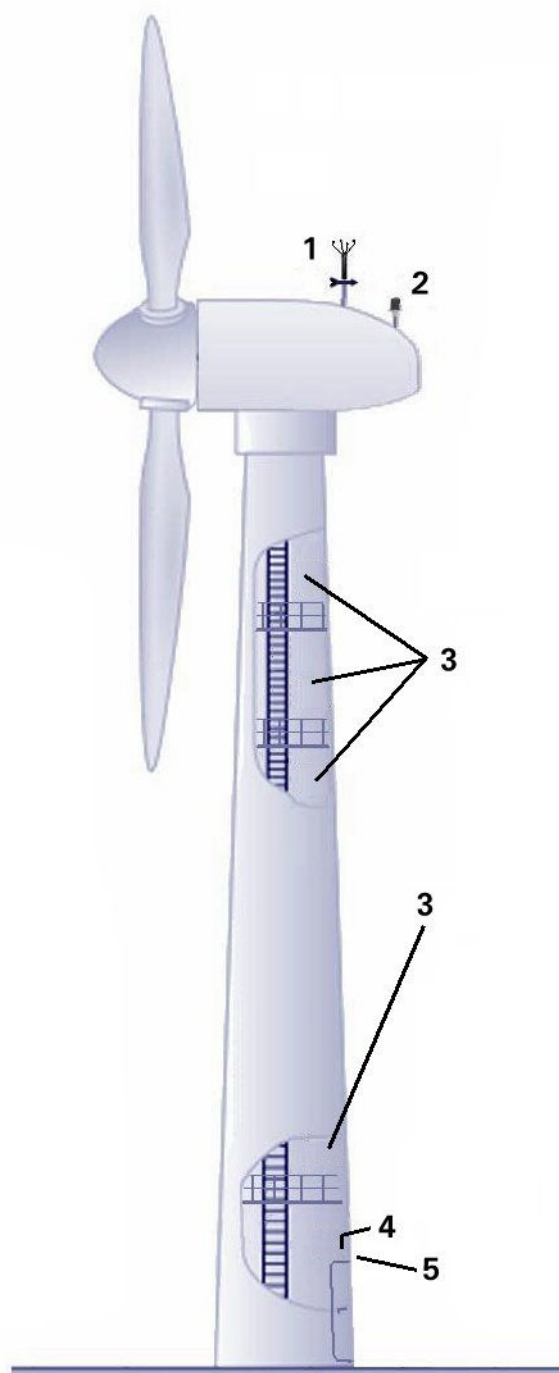
3 Interior Lighting

4 Exit Signs

5 Exterior Lighting

**6 Further Products
(Receptacles, Switches,
Fuses, Cables etc.)**

The below listing just shows a selection of standard products used for electrical installation on wind turbines. Other resp. further items for specific customer needs are available on request.



1 Windsensors, Anemometers

Catalog No.	Brief Description	EDP No.
120	Wind Transmitter, 3-Blade Impeller	122848
200-7200-006	Anemometer, Ultrasonic	124667

2 Obstruction Lights

Catalog No.	Brief Description	EDP No.
POL20K-R11634FS1	Obstruction Light, 120V, red, 116W Incandescent, Single, Flashing	119485

3 Interior Lighting

<i>Catalog No.</i>	<i>Brief Description</i>	<i>EDP No.</i>
VT2-220DRLTS120V	Fluorescent Fixture 2x20W T12, 120V, Wet Location	116524
DMW132MV-GEB10PS	Fluorescent Fixture 1x32W T8, 120-277V, IP65	127001
DMW232MV-GEB10PS	Fluorescent Fixture 2x32W T8, 120-277V, IP65	127065
BCG1WN	Oval Bulkhead with Guard, 100W Incandescent A-19, Wet Location	127273
VR2 120 L/LP	Rough Service Light, 100W Incandescent A19 120V, Wet Location	118902
DMW232120.126804	Emergency Fluorescent Fixture 2x32W T8, 120V, IP65	126804
ELM1254.H2012	Emergency Lighting Unit, 12V/54W, 90min, 20W/12V Halogen	124674
INDX1254	Emergency Lighting Unit, 90Min., 120/277V, Input NEMA 4/4X, IP66	125722

4 Exit Signs

<i>Catalog No.</i>	<i>Brief Description</i>	<i>EDP No.</i>
LQMSW3G120277ELN	Emergency Exit-Sign, LED, 120/277Vac, white/green, 90min	122103
DSW1R	Self-Luminous Exit Sign, Single Face, white Housing, red Faceplate	125747

5 Exterior Lighting

<i>Catalog No.</i>	<i>Brief Description</i>	<i>EDP No.</i>
TQ-500-120-LPI	Quartz Floodlight 500W, 120V, Knuckle mounted, Wet Location	117947
F1500QD-M6	Floodlight 1500W Quartz, 120V, Knuckle Mount, Wet Location	127029
BCG1WN	Oval Bulkhead with Guard, 100W Incandescent A-19, Wet Location	127273
VR2 120 L/LP	Rough Service Light, 100W Incandescent A19 120V, Wet Location	118902
4VW92A	Motion Sensor, max. 1000W, 270°, Weatherproof	124394
6P007	Photocontrol, 120V, 1800W, Built-In Delay, Model K4121C	123601

6 Further Products (Receptacles, Switches, Fuses, Cables etc.)

Single Receptacle, Surface Mount, Wet Location, consisting of:

<i>Catalog No.</i>	<i>Brief Description</i>	<i>EDP No.</i>
5015	Receptacle 15A 125V, NEMA 5-15R	101204
1113-SP	Surface Box, 1-Gang, 3x1/2"NPT	100046
5155-0	Cover w/Self-Closing Lid	120018
3702-3	Cable Gland, 1/2"NPT, Cable Range 0.375 to 0.425 inches (9.5 to 10.8)mm	100780

Duplex Receptacle, Surface Mount, Wet Location, consisting of:

<i>Catalog No.</i>	<i>Brief Description</i>	<i>EDP No.</i>
5242	Receptacle 15A 125V, NEMA 5-15R	101248
1113-SP	Surface Box, 1-Gang, 3x1/2"NPT	100046
4970-022	Cover w/Self-Closing Lids	118795
3702-3	Cable Gland, 1/2"NPT, Cable Range 0.375 to 0.425 inches (9.5 to 10.8)mm	100780

Single Pole Switch, Surface Mount, Wet Location, consisting of:

<i>Catalog No.</i>	<i>Brief Description</i>	<i>EDP No.</i>
5121-0	Single Pole "on-off" Lever Switch 125Vac 10A, NEMA 3R	120724
1113-SP	Surface Box, 1-Gang, 3x1/2"NPT	100046
3702-3	Cable Gland, 1/2"NPT, Cable Range 0.375 to 0.425 inches (9.5 to 10.8)mm	100780

Double Pole Switch, Surface Mount, Wet Location, consisting of:

Catalog No.	Brief Description	EDP No.
5137-0	Double Pole "on-off" Lever Switch 120-277Vac 20A, NEMA 3R	101227
1113-SP	Surface Box, 1-Gang, 3x1/2"NPT	100046
3702-3	Cable Gland, 1/2"NPT, Cable Range 0.375 to 0.425 inches (9.5 to 10.8)mm	100780

3-Way Switch, Surface Mount, Wet Location, consisting of:

Catalog No.	Brief Description	EDP No.
5141-0	3-Way "on-off" Lever Switch 125Vac 6A or 250Vac 3A, NEMA 3R	101228
1113-SP	Surface Box, 1-Gang, 3x1/2"NPT	100046
3702-3	Cable Gland, 1/2"NPT, Cable Range 0.375 to 0.425 inches (9.5 to 10.8)mm	100780

4-Way Switch, Surface Mount, Wet Location, consisting of:

Catalog No.	Brief Description	EDP No.
1124-2I	Toggle 4-Way AC Quiet Switch, 20 Amp, 120/277V	114003
1113-SP	Surface Box, 1-Gang, 3x1/2"NPT	100046
5155-0	Cover w/Self-Closing Lid	120018
3702-3	Cable Gland, 1/2"NPT, Cable Range 0.375 to 0.425 inches (9.5 to 10.8)mm	100780

Heating

Catalog No.	Brief Description	EDP No.
ST04-250-121TDS	Convactor Heater 1000W, 120V, Thermostat, Disconnect Switch	116881
3VU34A	Portable Convection Heater, 240/208V, 4000/3000W	123459
CWH3180	Fan-Forced Wall Heater, 120V, 1800W	124179
CWH3-SM	Surface Mounting Frame for CWH3180	123867

Junction Boxes

Catalog No.	Brief Description	EDP No.
5337-0	Surface Box, 2-Gang, 5x1/2"NPT Openings, Die-Cast Aluminum	107129
5175-0	Blank Cover (for 5337-0), with Gasket, NEMA 3R	120725
3702-5	Cable Gland, 1/2"NPT, Cable Range 0.375 to 0.500 inches (9.5 to 12.7)mm	100786
J141206CHQR	Non-Metallic Enclosure	124655

Fuses, Circuit Breakers

Catalog No.	Brief Description	EDP No.
JTD020	Class J Fuse, Time-Delay, 20A 600V	105289
LPSJ301	DIN-Rail Fuseholder Class J, 1-pole, max.30A	119349
QOU120	Miniature Circuit Breaker 20A 1-pole, 120/240Vac	103956

Power Outlet Strips

Catalog No.	Brief Description	EDP No.
602	Power Outlet Strip, 5 Outlets, 6ft Cord, 120V	120070
602-15	Power Outlet Strip, 5 Outlets, 15ft Cord, 120V	120101

Cables/Portable Cord

Catalog No.	Brief Description	EDP No.
SOOW 14/3	Portable Cord 90°C 600V, Multi-Conductor, 14AWG 3 Conductors	100127
SJOOW 14/3	Portable Cord 90°C 300V, Multi-Conductor, 14AWG 3 Conductors	103409
SOOW 16/3	Portable Cord 90°C 600V, Multi-Conductor, 16AWG 3 ConductorsV	103457
SJOOW 16/3	Portable Cord 90°C 300V, Multi-Conductor, 16AWG 3 Conductors	112350