

USA / Canada

Weatherproof "T" Surface Boxes

Weatherproof "T" Boxes are for use with nonmetallic wiring systems only.

- With 1/2" or 3/4" threaded holes.
- Mounting feet included.
- All gray plastic construction on standard, white versions available on request only.
- Single Gang, Double Gang, or Round Box.
- cUL Listed and Marine UL Listed.



E365D

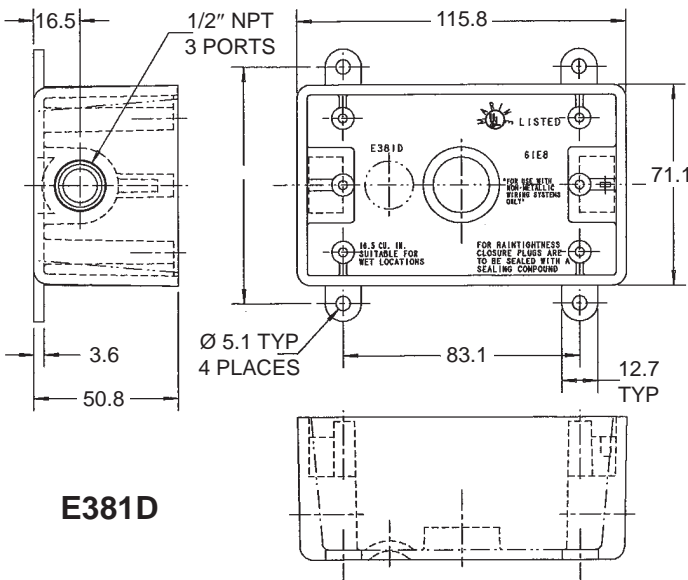


E381D

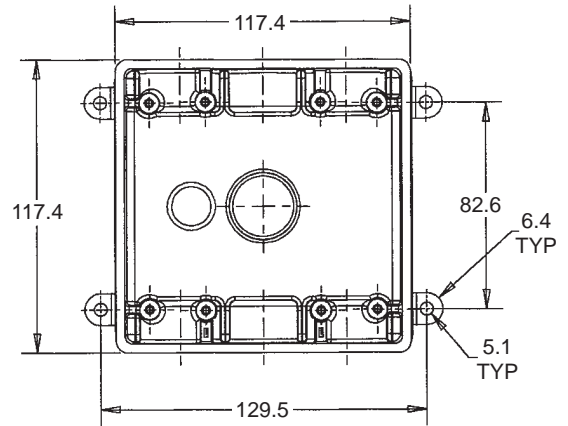


E382DE

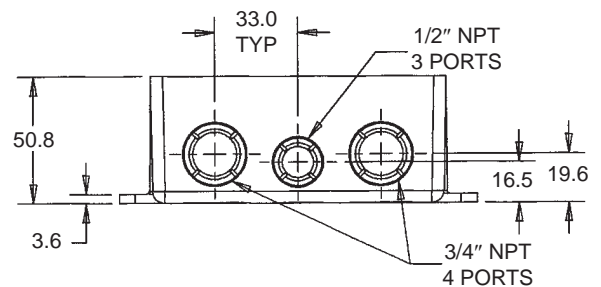
Catalog No.	Description	Weight/ea	VPE/Pack	EDP-No.
E381D-CAR	Single Gang "T" Box, (3) 1/2" threaded holes.	160 g	10	102384
E382DE	Double Gang "T" Box, (3) 1/2" and (4) 3/4".	230 g	6	122002
E365D-CAR	Round "T" Box, (5) 1/2" threaded holes.	155 g	10	122003



E381D



E382DE



Suitable covers available.
See [Document No. 4401](#) for further informations.