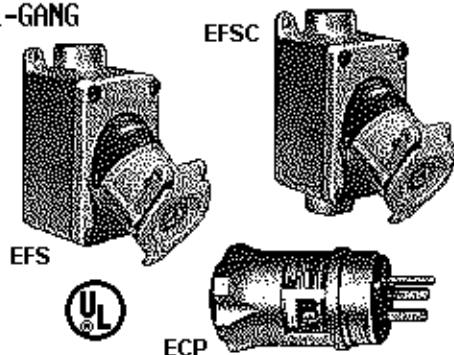


1-GANG



Receptacles have 1/2" dead-end or feed-through hubs. Both copper-free aluminum receptacle and malleable iron mounting box have epoxy finish. Stainless steel screws mount receptacle to box. Ordinary location plug (NEMA 5) will not activate receptacle. Further versions with 3/4" and 1" hubs, or 250VAC, and two gang available upon request.

Plugs are constructed of copper-free aluminum. A twist of the plug produces audible "click" to indicate fast make and break of built-in switch contacts. Twisting locks plug in place - cannot be accidentally pulled out. Fits NEMA 5 receptacles in non-classified areas. Cable Dia. (11.1-15.9)mm.

HAZARDOUS AREA U-LINE PLUGS AND RECEPTACLES, UL Listed

For use in areas made hazardous by the presence of ignitable gases, vapors, dusts, or fibers. Also for areas subject to corrosion or moisture. Suitable for use in Class I, Divisions 1 and 2, Groups B (providing that external seals are used), C, and D; Class II, Division 1 and 2, Groups F (Do not use where electrically-conductive dusts are present - most coal dusts are not electrically conductive) and Group G; Class III.

Catalog No.	Vac	A	Description	Ref. #	Wght. EA	EDP No
ECP-1523	125	15	Plug, 1HP, 60Hz, 2P 3W Grounding	1A360	454g	102490
ECP-2023	125	20	Plug, 1HP, 60Hz, 2P 3W Grounding	---	454g	102491
EFSC150-2023	125	20	Receptacle, Feed-Thru, 2x 1/2"Hubs	1A359	1952g	113145
EFS150-2023	125	20	Receptacle, Dead-End, 1x 1/2"Hub	---	1884g	102494