

USA Receptacle Boxes



UL Listed Standard 368B

Receptacle-Box, Plastic, Gray, for Surface Mounting, Mounting Base made of Zink Plated Steel, supplied with Mounting Hardware and Screws

Dimensions (129.6 x 78.8 x 34.3)mm

Steckdosen-Box, Kunststoff, grau, für Aufputz-Montage, Unterteil aus verzinktem Stahlblech, komplett mit Montageteilen und Schrauben



1546 A

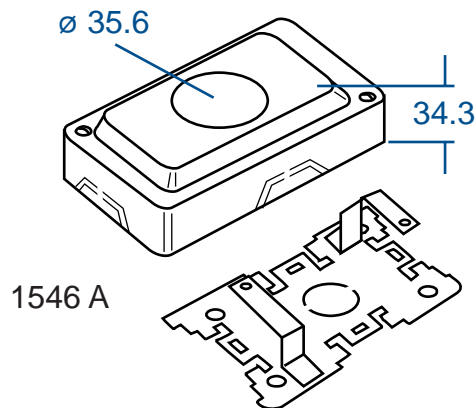


1546 B

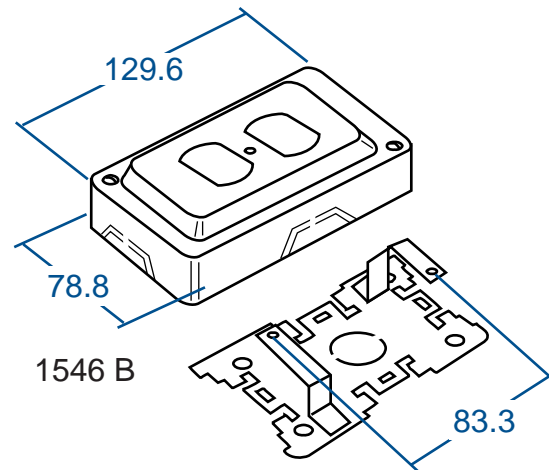


Mounting Base and Mtg. Hardware

Catalog No.	Description	Weight/ea	VPE/Pack	EDP-No.
1546 A	Surface Mounting Single Receptacle Box, Gray	135 g	10	100116
1546 B	Surface Mounting Duplex Receptacle Box, Gray	131 g	10	100117



1546 A



1546 B

To learn more about B-I-A please visit us at our
WEB site: www.BiaGmbH.com

