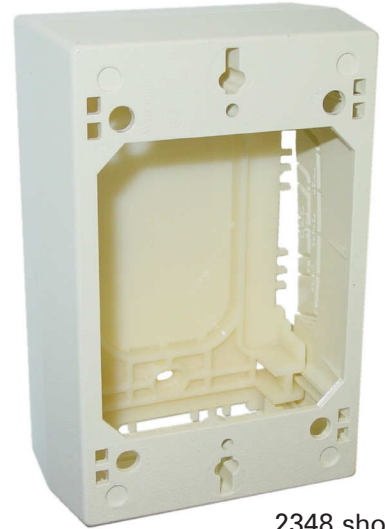


USA / Canada - Deep Non-Metallic Device Boxes, 1 to 3 Gang

Surface Mounting Non-Metallic,
Deep Device Boxes, 1 to 3 Gang



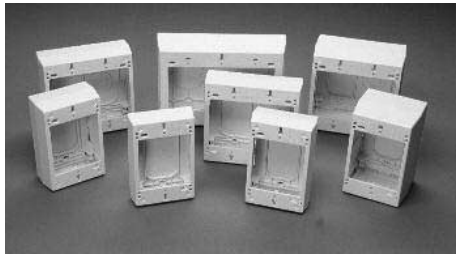
2348 shown

SPECIFICATIONS

- One-Gang Base has rectangular KO (Knock-Out).
- Two & Three-Gang Bases have rectangular KO to enable extension from existing flush wall box and 1/2" and 1" concentric KO's.
- Accepts industry standard faceplates for switch and communication devices.
- Box Material: Thermoplastic, Standard Color: Ivory
- Nominal Dimensions: Length 4 3/4" (121 mm), Wide (see below), Height 1 3/4" (44 mm)

Catalog No.	Color	Description	Dimension "W"	Weight/each	VPE/Pack	EDP No.
2348	Ivory	1-Gang Deep Switch or Device Box	3" (76 mm)	100 g	200/10	100390
2348-2	Ivory	2-Gang Deep Switch or Device Box	4 7/8" (124 mm)	150 g	100/10	100391
2348-3	Ivory	3-Gang Deep Switch or Device Box	7" (178 mm)	200 g	50/5	100392

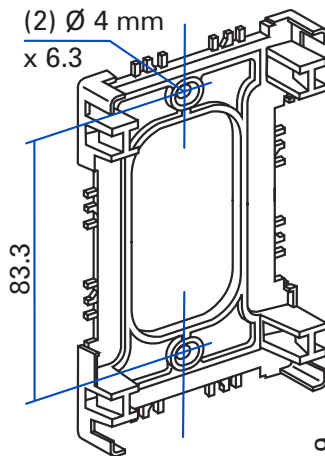
NOTE: Boxes are available in color white depending on quantities, contact our Sales Office.
(add. suffix WH to catalog number, e.g. 2348-WH, 2348-2WH, 2348-3WH)



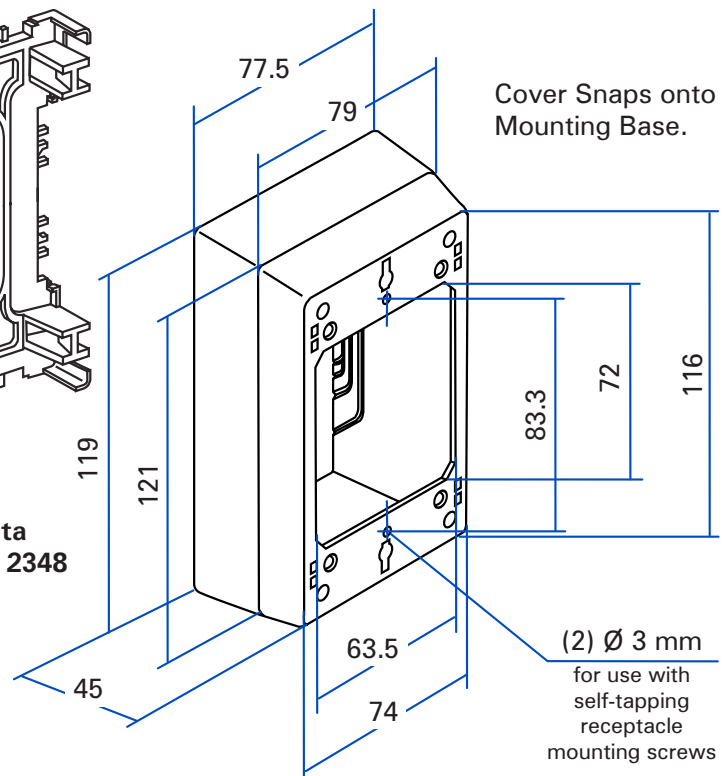
Fittings for use with 400,
800, 2300 Series Raceway

CODE REFERENCE

- cULus Listed Fittings.
- File E90377 Guide RJYT.
- Meets Article 388 of NEC.
- UL Listed for up to 600V.
- Meets Section 12-1600 of CEC.



Dimensional Data
for Catalog No. 2348



Dimensions in mm.

Technical Data are Subject to Change without Notice.

CUBIC INCH CAPACITY OF BOXES						
Catalog Number	Available		Maximum No. of Conductors			
	Inside Volume cu. in.	(cm ³)	AWG # 14	12	10	8
2348	20.2	(331.0)	10	9	8	6
2348-2	32.9	(538.7)	16	14	13	11
2348-3	49.8	(816.8)	24	22	19	16