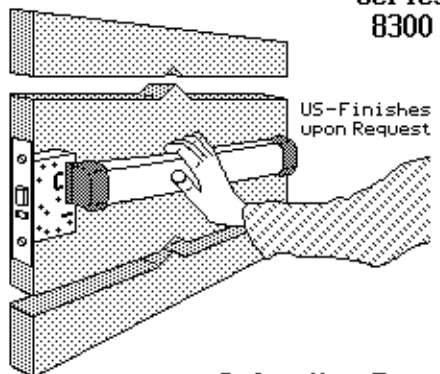


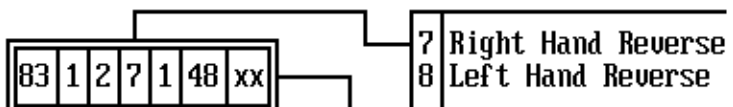
Series
8300Order No. Example:
8312-7148-xx

UL ADAMS RITE

PANIK-Stangenbeschläge

EXIT DEVICES (MOR)

MORTISE TYPE

For Use with
Life-Safety Exits
Standard SeriesFor use with
Wood or Hollow
Steel Doors7 Right Hand Reverse
8 Left Hand Reverse

Door Thickness (mm)

Order Cylinder
separately
if required!

FINISH

1	628 Aluminum
2	313 "Bronze"
3	335 Black

(mm) DoorOpening Width

30	= 762
36	= 914
42	= 1067
48	= 1219

On Pair of Doors,
Specify One-Half
Total ExitOpeningBackset
38.1mm only!