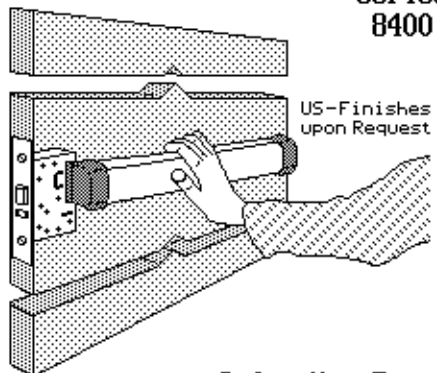


Series  
8400

Order No. Example:  
8412-27136-xx

UL ADAMS RITE

PANIK-Stangenbeschläge

EXIT DEVICES (MOR)

MORTISE TYPE

For Use with

Life-Safety Exits

Standard Series

