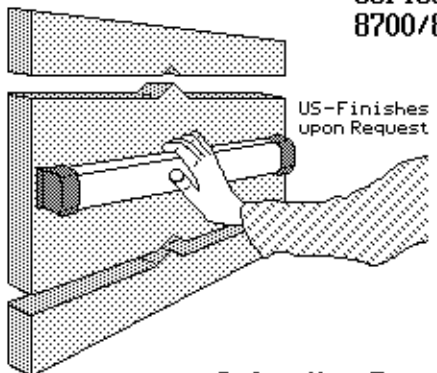


Series
8700/8800Order No. Example:
8703-42-xx

UL ADAMS RITE

PANIK-Stangenbeschläge

EXIT DEVICES (RIM)
RIM MOUNTED TYPE
For Use with
Life-Safety Exits
Standard Series

Order Cylinder
seperately
if required!

		8 7 0 3 42 xx		Door Thickness (mm)	
7	Wood/Hollow Metal Door	FINISH		(mm)	DoorOpening Width
8	Narrow Stile Glass Door			30 = 762	On Pair of Doors, Specify One-Half Total ExitOpening
		36 = 914			
		42 = 1067			
		48 = 1219			
		1 628 Aluminum			
		2 313 "Bronze"			
		3 335 Black			