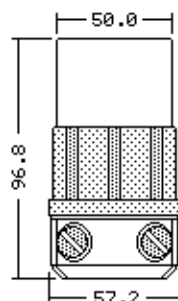
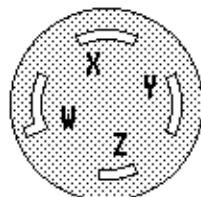
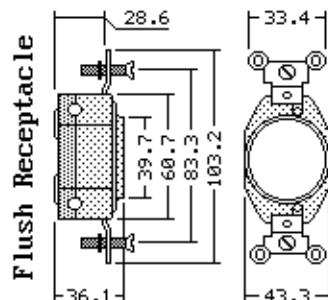


ANSI C73.108



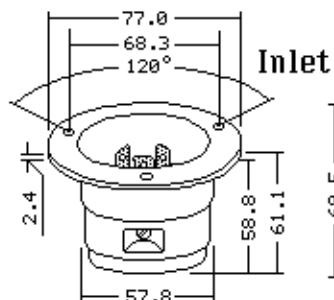
2463

3ØY

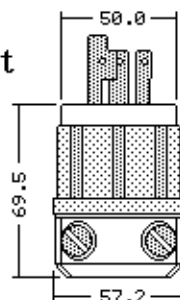
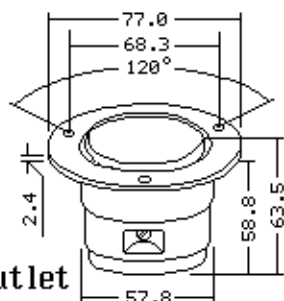
Cord Clamp Range  
Plug & Connector  
15.1 - 22.7 mmNEMA  
L20-20R

Flush Receptacle

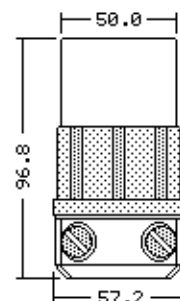
UL CSA

Dimensions  
= mm

Inlet

LOCKING  
INDUSTRIAL

Outlet



347/600V AC-20A, 4-Pole 4-Wire

Catalog Number	Beschreibung	Description	NEMA	UPE/Pack
2461	Stecker	Plug	L20-20P	30
2463	Kupplung	Connector	L20-20R	30
2466	Einbausteckdose	Flanged Outlet	L20-20R	10
2465	Einbaustecker	Flanged Inlet	L20-20P	10
2460	Steckdose	Flush Receptacle	L20-20R	30