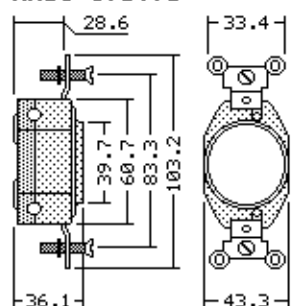


UL CSA

ANSI C73.73

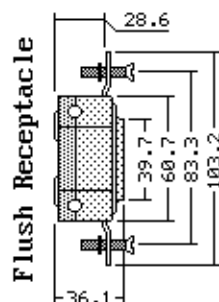


2610



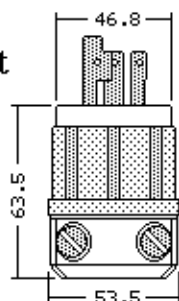
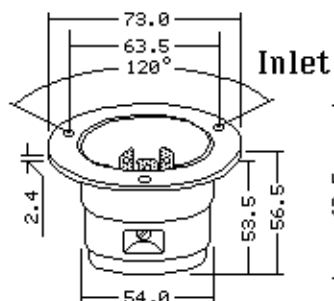
Cord Clamp Range
Plug & Connector
9.8 - 21.8 mm

**NEMA
L5-30R**

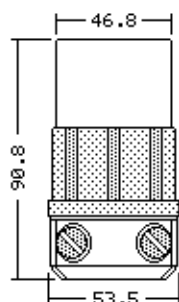
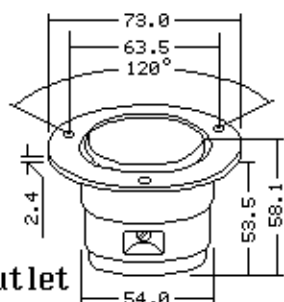


Flush Receptacle

Dimensions
= mm



LOCKING
INDUSTRIAL



125V AC-30A, 2-Pole 3-Wire Ground

| Catalog Number | Beschreibung | Description | NEMA | UPE/Pack |
|----------------|----------------------|----------------------|---------|----------|
| 2611■ | Stecker | Plug | L 5-30P | 30 |
| 2613■ | Kupplung | Connector | L 5-30R | 30 |
| 2616■ | Einbausteckdose | Flanged Outlet | L 5-30R | 10 |
| 2615■ | Einbaustecker | Flanged Inlet | L 5-30P | 10 |
| 2610■ | Steckdose | Flush Receptacle | L 5-30R | 30 |
| 2610-IG■ | -isolierte Erde | -Insulated Ground | L 5-30R | 30 |
| 26CM-10■ | -korrosionsbeständig | -Corrosion Resistant | L 5-30R | 30 |