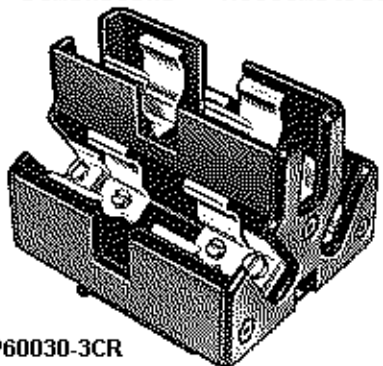
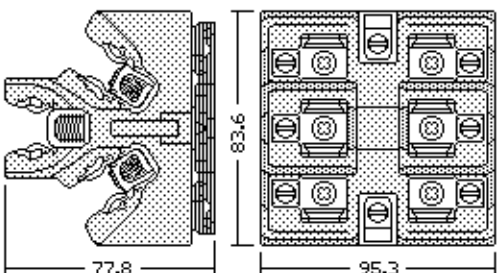


Dimensions = Millimetres



JP60030-3CR



UL CSA■

600V AC 0-30A

UL Class J, 3 Pole

Fuse Size:
 (∅ 20.6 x 57.2)mm
 Copper Max. AWG 2 - 14

Sicherungshalter, Pyramiden-
 form, mit Kontaktverstärkung

Pyramid Fuseblock, Clips with
 Reinforcing Springs

Catalog No.	Beschreibung	Description	UPE/Packed
JP60030-3CR■	Plattenmontage	Panel Mounting	5
JP60030-3CRA■	Hutschienenmontage	With DIN-Adaptor	5
JPA-3	separater 35mm DIN- Hutschienen-Adapter	35mm DIN-Rail Adaptor only	5