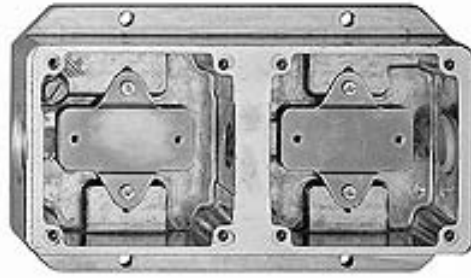


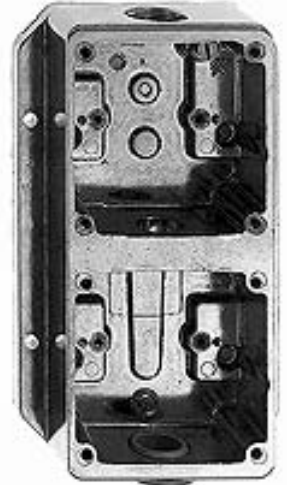
## Germany

### Surface Mounting Boxes, Die Cast Aluminum (AlMg2)

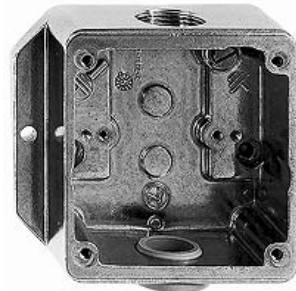
The aluminium magnesium alloy, consolidated housing surfaces and thought out seals offer far going protection against the penetration of humidity, water and dust and prove also as corrosion resistant against solvents and oils, sea and condensed moisture, ammonia, acids, flight rust, chloride etc... and against high mechanical load, like it in the heavy industrial environments, in work-shops, to stockrooms etc...



902.AGB.1x2.09

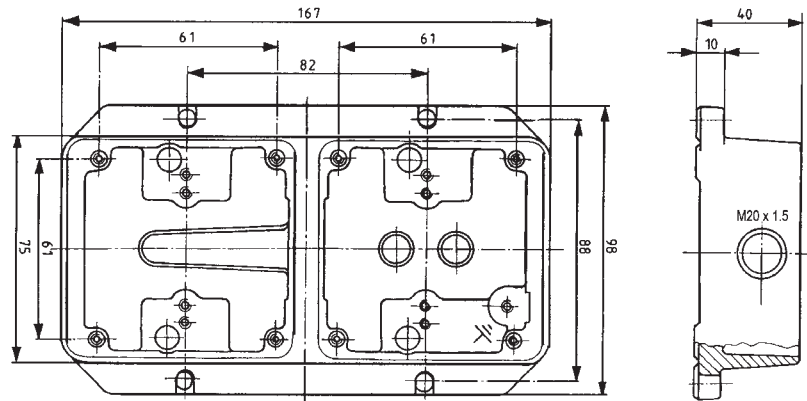
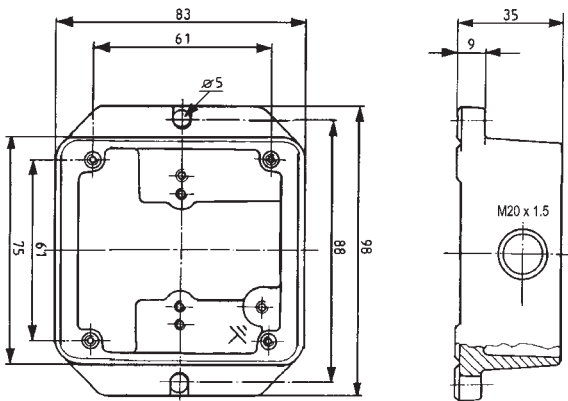


902.AGB.2x1.09

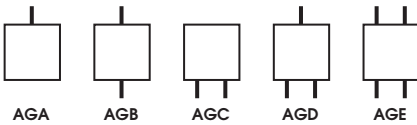


902.AGB.09

Catalog No.	Description	Weight/ea	VPE/Pack	EDP-No.
<b>902.AGB.09</b>	Surface Mounting 1-Gang Box	210 g	10	107757
<b>902.AGB.1x2.09</b>	Horizontal Surface Mount. 2-Gang Box	434 g	5	121493
<b>902.AGB.2x1.09</b>	Vertical Surface Mounting 2-Gang Box	445 g	5	121492



902.AGB.1x2.09



1-Gang Box Electrical Threads (M20x1.5) Arrangements  
Please request for versions available.

To learn more about B-I-A please visit us at our  
WEB site: [www.BiaGmbH.com](http://www.BiaGmbH.com)

