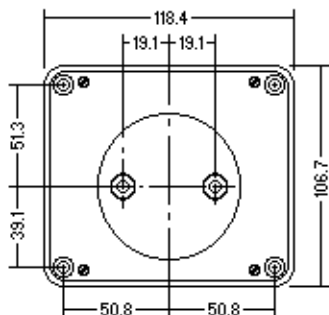
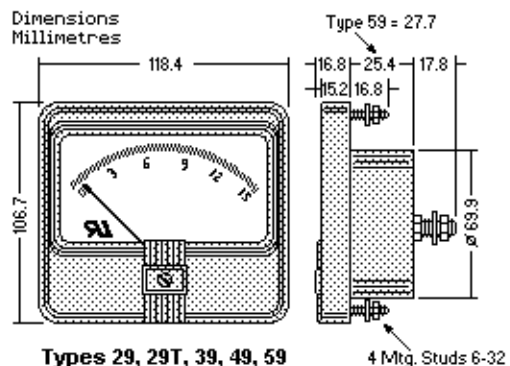


Dimensions
Millimetres

Schalttafel-Instrumente

DC Amperemeter Type 29

UL (UR) Recognized

Phenolic Cases, Glass Windows

PANEL DC AMPERE METERS Type 29 (4 1/2")

Scale Length = 3.8" (96.5mm)

Range (A DC)	Catalog No.	Ref. ID.	Resistance	Calibration / Description
0 - 2	55F259	00470	0.025 Ohms	All meters listed have self-shielded meter movement, so calibration is unaffected by stray magnetic fields or magnetic mounting.
0 - 3	55F260	00480	0.0166	
0 - 5	55F210	00490	0.01	
0 - 10	55F211	00500	0.005	
0 - 25	55F261	00520	0.002	
0 - 50	55F212	00540	0.001	*Require external shunt, order separately! Informations on Request.
0 - 300	--	00600*	10.0	
0 - 500	--	00610*	10.0	