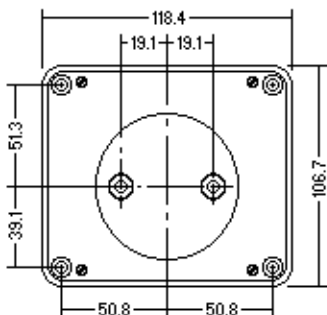
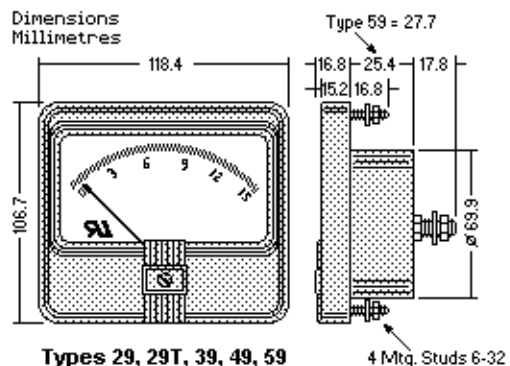


Dimensions  
Millimetres

Schalttafel-Instrumente

AC Amperemeter Type 59

UL (UR) Recognized

Phenolic Cases, Glass Windows

PANEL AC AMPERE METERS Type 59 (4 1/2")

Scale Length = 3.5" (88.9mm)

Range (A AC)	Catalog No.	Ref. ID.	Impedance*	Calibration / Description
0 - 2	--	01310	0.065 Ohms	All meters listed have iron-vane type meter movement, calibrated at 60 Hz with $\pm 1\%$ deviation.
0 - 3	55F194	01320	0.028	
0 - 5	55F195	01330	0.008	
0 - 10	55F196	01340	0.004	
0 - 15	55F282	01350	0.0025	
0 - 25	55F197	01360	0.002	#Requires external transformer, order separately! Informations on Request.
0 - 50	55F219	01380	0.001	
0 - 100	--	01400#	0.008	

\*at 60 Hz