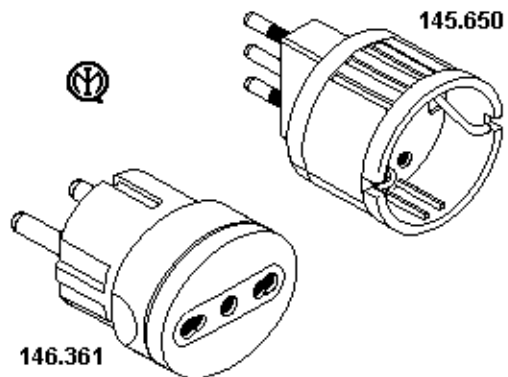


IMQ = Istituto Italiano
del Marchio di qualitàDimensions
= mm

P17	2 Pole + Erde	P11
$\varnothing 5.0$		$\varnothing 4.0$
13.0		9.5
13.0		9.5
16 Amp.		10 Amp.
250 Volt AC		

250 Volt AC, 1500 Watt max.

Adapter Italien mit Erdungssystem
Frankreich oder Deutschland,
2-polig + ErdeOne-Way Adaptor ITALY with French or
German Earthing System,
2-Pole 3-Wire Grounding.

Catalog Number	Color	Amp.	Beschreibung / Description	UPE/Packed
145.640	White	10	ITALY : GERMANY (SCHUKO/EURO)	50/500
145.640/N	Black	10	ITALY : GERMANY (SCHUKO/EURO)	50/500
7380 W	White	10	ITALY : GERMANY (SCHUKO/EURO)	50/100
738.000 W	White	10	ITALY : USA, AUSTRALIA, GERMANY, SWITZERLAND, DENMARK, UK	10/100
145.650	White	16	ITALY : GERMANY (SCHUKO/EURO)	50/500
145.650/N	Black	16	ITALY : GERMANY (SCHUKO/EURO)	50/500
7381 W	White	16	ITALY : GERMANY (SCHUKO/EURO)	10/100
146.361	White	16	FRENCH/GERMANY : ITALY (10/16Amp)	50/500
146.361/N	Black	16	FRENCH/GERMANY : ITALY (10/16Amp)	50/500