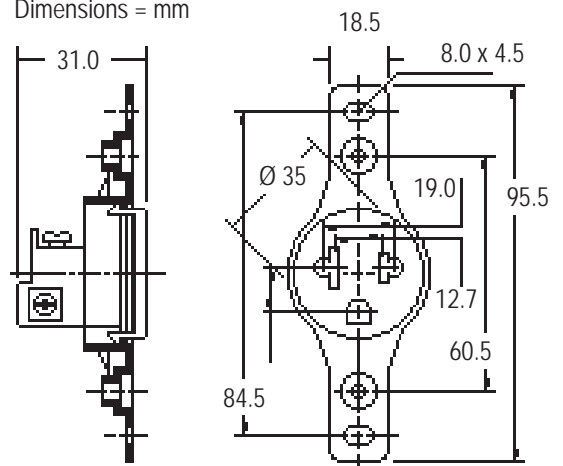


NBR 6147
Brazil

Dimensions = mm



S-1666 Flush Mounting Receptacle supplied with Wallplate

Amperage: 10/15 Amp.
Voltage: 125/250 Volts
Color: Grey

Catalog No.	Color	Wght/ea	VPE/Packed	EDP-No.
S-1666 CZ	Grey	50 g	1000	110799



To learn more about B-I-A please visit us at our
WEB site: www.BiaGmbH.com

