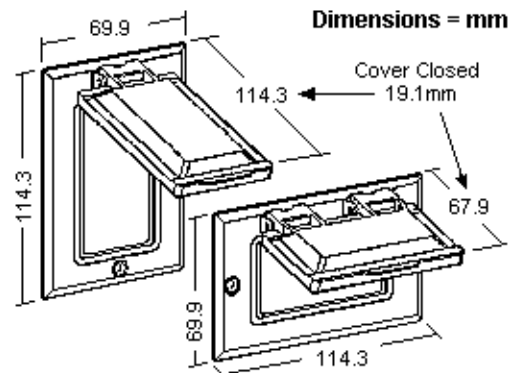


Used with GFCI  
or Decora Devices

- ◆ For use whenever weatherproof protection is required for an outdoor receptacle.
- ◆ Rugged aluminum construction.
- ◆ Includes installation hardware, gasket, and instruction sheet.



- ◆ State-of-the-art powder coat finish provides maximum weatherability and scratch resistance.
- ◆ Self-closing lids assure weatherproof protection when the receptacle is not in use.
- ◆ UL Listed - Standard 514A, C/UL Listed.

Catalog No.	Colour	Description	Wght/ea	UPE/Pack	EDP-No
5101-0	Gray	Horizontal-Device Mount Single-Gang	106g	24	107064
5101-1	White	Covers, for use with GFCI or Decora	106g	24	107065
5101-2	Bronze	Receptacles, Switches or Devices.	106g	24	107066
5103-0	Gray	Vertical-Device Mount Single-Gang	96g	24	107078
5103-1	White	Covers, for use with GFCI or Decora	96g	24	107079
5103-2	Bronze	Receptacles, Switches or Devices.	96g	24	107080