



31593 A 123

## USA - Industrial Grade Multiple Outlet Boxes – Multi-Tap® Series

NEoTEX® rubber box with built-in copper buss bars. Molded-in cord grip and polycarbonate outlets. Rubber plug included (plug same as receptacle). Cord Ø Range (for box only) 8.3-16.6 mm.

NOTE: Other combinations of cord and receptacles available on special order. Consult our sales office. For GFCI protection: add "PLG" suffix for addition of 15A, 120V GFCI plug. Add "IN" suffix for Addition of 15-20 AMP, 120/240V inline GFCI.

Configuration	Box with 3 Outlets each Rated	Pre-Wired Box Only	SOW 12/3 Cord		SOW 14/3 Cord	
			25ft (7.6m)	50ft (15.2m)	25ft (7.6m)	50ft (15.2m)
NEMA 1-15	2-Pole 2-Wire 15 Amp. / 125V	31550	31550A122	31550B122	31550A142	31550B142
NEMA 5-20	2-Pole 3-Wire 20 Amp. / 125V	31565*	31565A123	31565B123	31565A143	31565B143
NEMA 5-15	2-Pole 3-Wire 15 Amp. / 125V	31593*	31593A123	31593B123	31593A143	31593B143
NEMA 6-15	2-Pole 3-Wire 15 Amp. / 250V	31594	31594A123	31594B123	31594A143	31594B143
NEMA L5-15	2-Pole 3-Wire 15 Amp. / 125V	32547*	32547A123	32547B123	32547A143	32547B143
NEMA L5-20	2-Pole 3-Wire 20 Amp. / 125V	32747*	32747A123	32747B123	32747A143	32747B143
NON-NEMA	3P 3W 15A / 125V, 10A / 250V	31552	31552A123	31552B123	31552A143	31552B143
NON-NEMA	3P 3W 15A / 125V, 10A / 250V	32553	32553A123	32553B123	32553A143	32553B143
NON-NEMA	3P 3W 20A 125V/250V	32708	32708A123	32708B123	32708A143	32708B143

\* To order with a ground continuity monitor, add "GCM" suffix to Catalog Number (e.g. 31593 GCM)

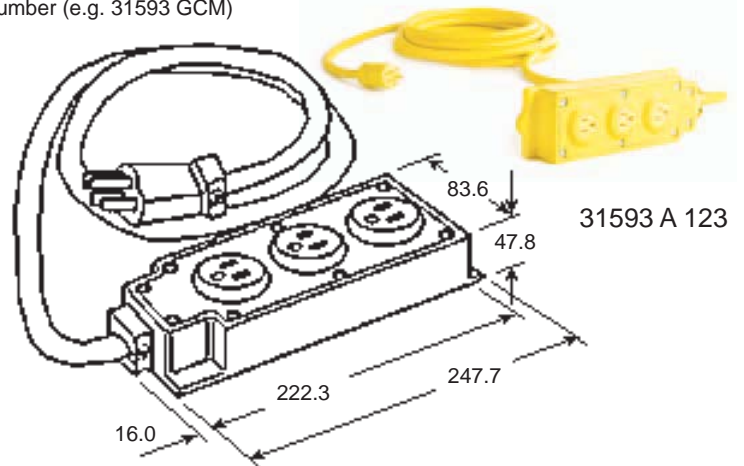
### Multi-Tap Strip and Cordset

U.L. listed. Two-piece nylon box with industrial grade duplex receptacles and MAX-LOC® cord grip (F2). Brass ground buss bar.



Two or three 15A straight-blade duplex receptacles with manual reset type circuit breaker. Yellow unit wired with 8 ft. SOOW 14/3 cord with 3-prong, straight-blade, right-angle plug. Black version wired with 8 ft. SY 14 gauge, 3 conductor cord with 3-prong, straight-blade, straight-body plug.

CONFIGURATION	2 DUPLEX RECEPTACLES	3 DUPLEX RECEPTACLES
NEMA 5-15	3500	3510



To learn more about B-I-A please visit us at our  
WEB site: [www.BiaGmbH.com](http://www.BiaGmbH.com)

