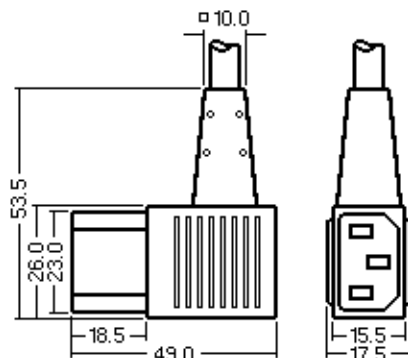


Dimensions
= mm

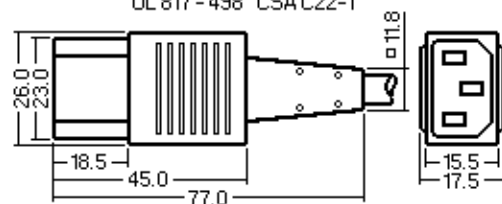


Used On: 18/3 SVT or 18/3 SJT Black or Gray, 65°C,
6Amp, 250Vac IEC 320/C13 DIN 57625
UL 817 - 498 CSA C22-1

125V, 65°C

Zuleitung, ungeschirmt,
Kaltgerätedose, gerade oder
Winkel

Power Supply Cord, Unshielded,
Straight or Right Angle Female
Connector



Catalog No.	Wire	AWG	mm ²	No x Ø	CU kg/km	Ø	Length	Color	Amp	VPE	EDP-No
3020 GRY	SJT	18	0.82	49x0.145	BC 24	8.3	2.5m	Gray	10	100	100621
3011 GRY	SJT	18	0.82	49x0.145	BC 24	8.3	2.5m	Gray	10	100	100618