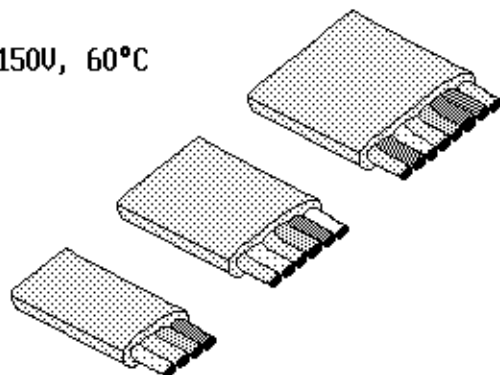


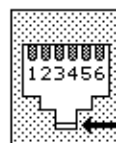
150V, 60°C



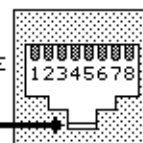
JACKET COLOR: Silver Satin

- (1) WHITE
- (2) BLACK
- (3) RED
- (4) GREEN
- (5) YELLOW
- (6) BLUE

- (1) BLUE
- (2) ORANGE
- (3) BLACK
- (4) RED
- (5) GREEN
- (6) YELLOW
- (7) BROWN
- (8) SLATE



6 Position

SPRING RELEASE
TAB AREA

8 Position

Modular/Telefon-Leitung

PVC-Mantel silbergrau

PVC-Isolation farbcodiert:

Blau, Orange, Schwarz, Rot,
Grün, Gelb, Braun und GrauFlat (Oval) Multiconductor, Stranded
Modular/Telephone Cordage, Unshielded,
PVC Outer Jacket, PVC Insulated

COLOR CODED CONDUCTORS:

Blue, Orange, Black, Red, Green,
Yellow, Brown and Slate

Catalog Number	AWG	mm ²	No x Ø	CU kg/km	O.D. Ø	Color	UPE
1604 (305m)	26/4	4x0.13	7x0.160	BC 5	2.5x5.0	Silver Gray	305m
1604 (100m)	26/4	4x0.13	7x0.160	BC 5	2.5x5.0	Silver Gray	100m
1606 (305m)	26/6	6x0.13	7x0.160	BC 8	2.5x7.0	Silver Gray	305m
1606 (100m)	26/6	6x0.13	7x0.160	BC 8	2.5x7.0	Silver Gray	100m
1608 (305m)	26/8	8x0.13	7x0.160	BC 10	2.5x8.5	Silver Gray	305m
1608 (100m)	26/8	8x0.13	7x0.160	BC 10	2.5x8.5	Silver Gray	100m