

TWO-GANG SWITCHED COVER WITH DUPLEX RECEPTACLE

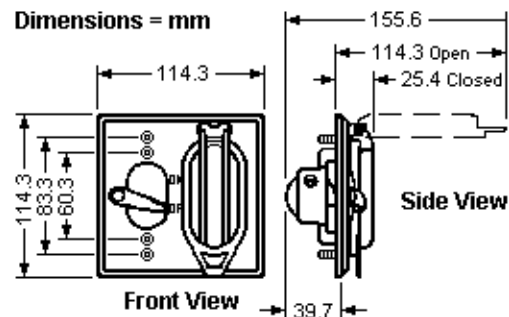
APPLICATIONS

- For use whenever weatherproof protection is required for an "on-off" type switch combined with a duplex 125V AC, 15 Amp, NEMA 5-15R receptacle.

COMPLIANCES

- UL Listed - Standard 514A
- CSA Certified

Dimensions = mm



PRODUCT FEATURES

- Rugged metallic construction.
- State-of-the-art powder coat finish provides maximum weatherability and scratch resistance.
- Includes installation hardware and multi-lingual instructions.
- Units supplied with a switch and with a receptacle -- no need to purchase separate components.
- Units are supplied with the switch and receptacle unasssembled to the cover.

Catalog No.	Color	Description	Wght/ea	UPE/Pack	EDP-No
5166-0	Gray	Single Pole Switch 125V AC, 10 Amp, with Duplex Receptacle NEMA 5-15R	289g	8 ea	116793

Further colors available upon request.