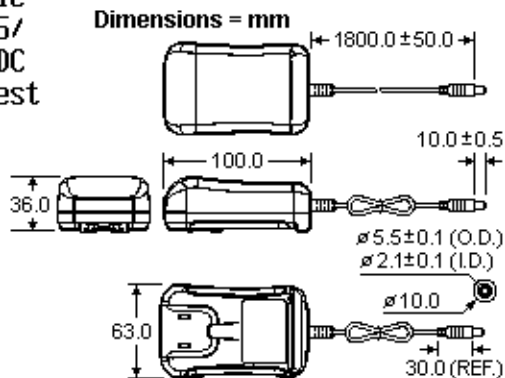


Available
3.3/5/15/
18/24 VDC
on Request



20 Watt Interchangeable Plug Series

- AC Input Voltage: 90 - 264 VAC
- AC Frequency: 47 - 63 Hz
- Output Connector: 2.1 x 5.5 mm
Center Positive
- Double Insulated
- Class B EMI

- Efficiency: 70% Typical
- Dimensions: (3.94x2.48x1.41)"
(100 x 63 x 36)mm
- Field Changeable AC Plugs (Optional)
- Loadsense at DC Plug
- Power on LED
- 2% Regulation (5-24Vdc)

Catalog-No.	Output Voltage	Load		Ripple P-P	Regulation		Wght/ea	UPE/Pack	EDP-No
		Min.	Max.		Line	Load			
PSA21R-090	9 VDC	0A	1.67A	90mV	±1%	±2%	260g	10	117568
PSA21R-120	12 VDC	0A	1.67A	120mV	±1%	±2%	260g	10	117569
RPA	Plug-Clip	USA / Canada					42g	10	117573
RPK	Plug-Clip	United Kingdom					67g	10	117574
RPE	Plug-Clip	Europe (EURO-Plug)					58g	10	117575
RPS	Plug-Clip	Australia / New Zealand					41g	10	117576