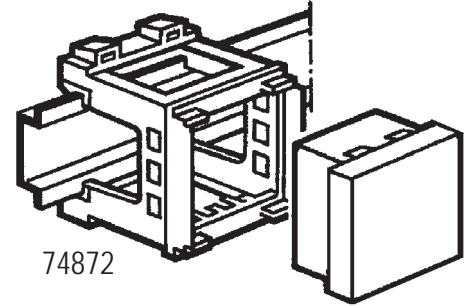


Snap-N-Service

Put a Service Outlet to Your Cabinet...

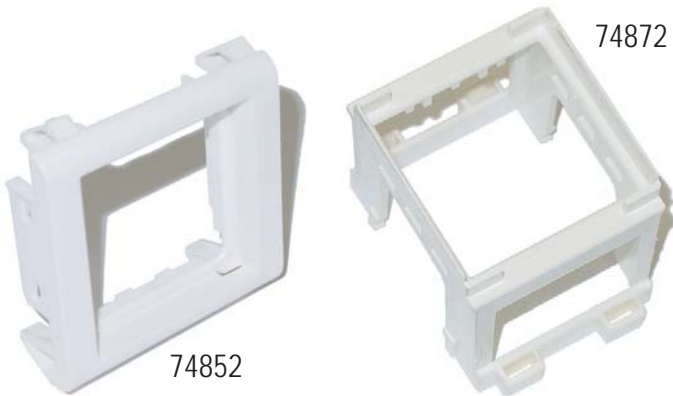


74872

Modular Clip Mounting Frame and Modular DIN-Rail Mounting Frame

Modular clip mounting frame for thin panels from 1 mm to 3 mm thick, mounted without plate, clips onto a cutout 58.5 mm x 53.5 mm, takes sockets or other mechanisms horizontally or vertically. Modular DIN-Rail mounting frame for symmetrical DIN-Rail used with modular sockets or other mechanisms, frame width 46.3 mm.

See Document No. 9031 for International Sockets.



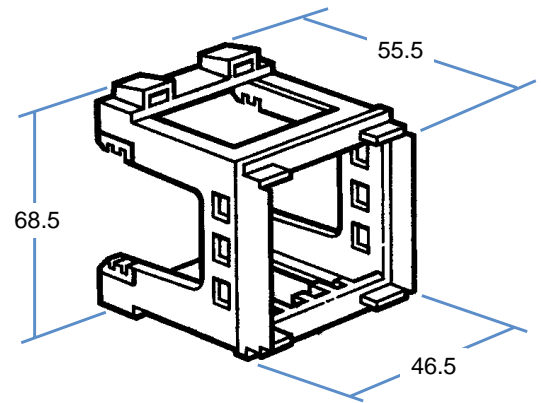
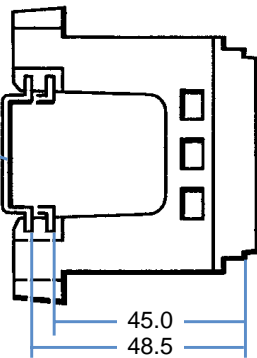
74852

74872

Catalog No.	Description	Weight/ea
74852	Modular Clip Mounting Frame	15 g
74872	Module DIN-Rail Mechanisms	17 g

Cat.No. 74872

35mm Symetrical
DIN-Rail



For more informations refer to Document No. **9031**

To learn more about B-I-A please visit us at our
WEB site: www.BiaGmbH.com

