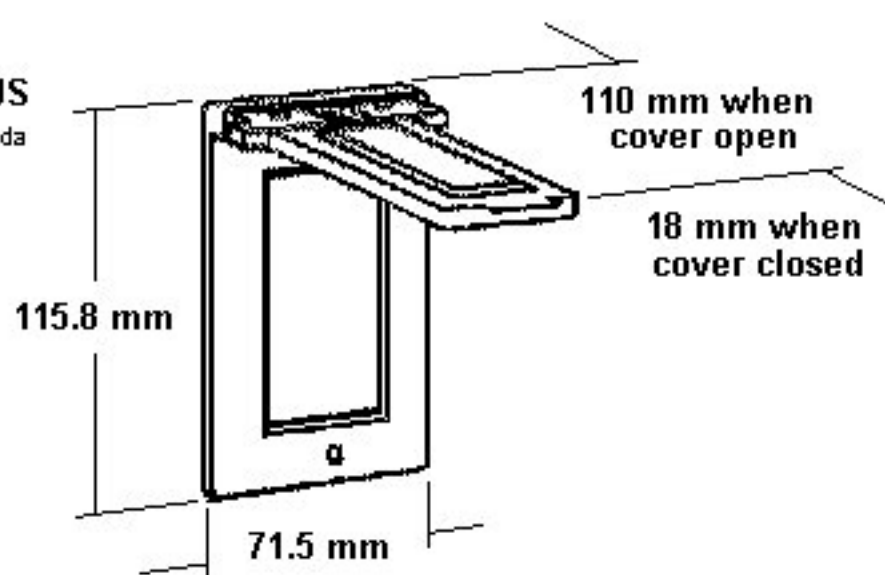




Homepage <http://www.BiaGmbH.com> Email info@BiaGmbH.com Document 2582



SINGLE-GANG DIE CAST DEVICE COVER

- Mount cover with hinge on top.
- Supplied with gasket and mounting screws.
- Remove appropriate device cutout on gasket.
- Used with One Single Decora Device (e.g. Receptacle, Switch) or GFCI.
- Listed 22FO Flush Device Cover Wet Locations with Cover Closed

Use clauking around cover if not mounted to a U.L. listed wet locations box.

Catalog Number	Color	Description	Wght/ea	UPE/Pack	EDP-No
5103-0	Gray	Vertical Device Mount Cover for GFCI or DECORA Devices	144g	24	120195