



FCA Series Switching Power Supplies

Features

- High input voltage (187 - 528V AC)
- Peak load available
 FCA50F, FCA75F (at 240 - 528V AC)
 FCA200F(at 323 - 528V AC)
- DIN Rail Attachment (Optional)
- Small size

Safety agency approvals

- UL1950, C-UL,
 EN60950 (FCA50F, FCA75F, FCA200)
 EN50178 (FCA50F, FCA75F)

EMI

- FCC-A, CISPR11-A, EN55011-A

CE marking

- Complies with LVD

EMC Compliance

- EN55011-A
- EN61000-4-2
- EN61000-4-3
- EN61000-4-4
- EN61000-4-5
- EN61000-4-6
- EN61000-4-11

Model	FCA50F-24	FCA75F-24	FCA200F-24
Output Wattage	50W (Peak 160W)	75W (Peak 240W)	200W (Peak 1008W)
DC Output	24V DC, 2.1A (Peak 6.7A)	24V DC, 3.1A (Peak 10A)	24V DC, 8.4A (Peak 42A)

In the field of AC motor control, many I/O products already shifting to 24 Volt DC along with valves activators, mini contactors, PLC's and logic network. It is only natural that motor control will also become 24 VDC control.

The reason for switching to 24 Volt DC are: Safety, reliability, cost saving and functionality.

The FCA series is the best Switching Power Supply for Soft Starter, compatible DIN Rail. Compact and low cost, the FCA series is available in 50W, 75W and 200W power ratings with 24 V DC output, peak current capability up to 160W for FCA50F, up to 240W for FCA75F and up to 1008W for FCA200F, high input voltage 187 Volt AC to 528 Volt AC, FCC-A, CISPR11-A, EN55011-A for EMI, UL/C-UL/EN60950 safety approvals, CE marking (LVD), and a three-year manufacturers warranty.

Schaltnetzteile mit Leistungsfaktorkorrektur, DIN - Schienen Montage möglich

Features

- Leistungsfaktorkorrektur (IEC 61000-3-2)
- Eingangsspannung AC85-AC264V
- Spitzenlast möglich
- Kompakte Bauweise
- Kurzschluss-, Überstrom- und Überspannungsschutz
- Spitzenstromschutz
- Temperaturüberwachung
- Seriell - Betrieb ist möglich
- Regelbare Ausgangsspannung
- DIN - Schienen Montage (optional)
- Komplett nach Standard-Normen



Unit type

FCA50F

Ordering information

FCA 50 F -24 -

- ① Series name
- ② Output wattage
- ③ Universal input
- ④ Output voltage
- ⑤ Optional
N1 :with DIN rail attachment

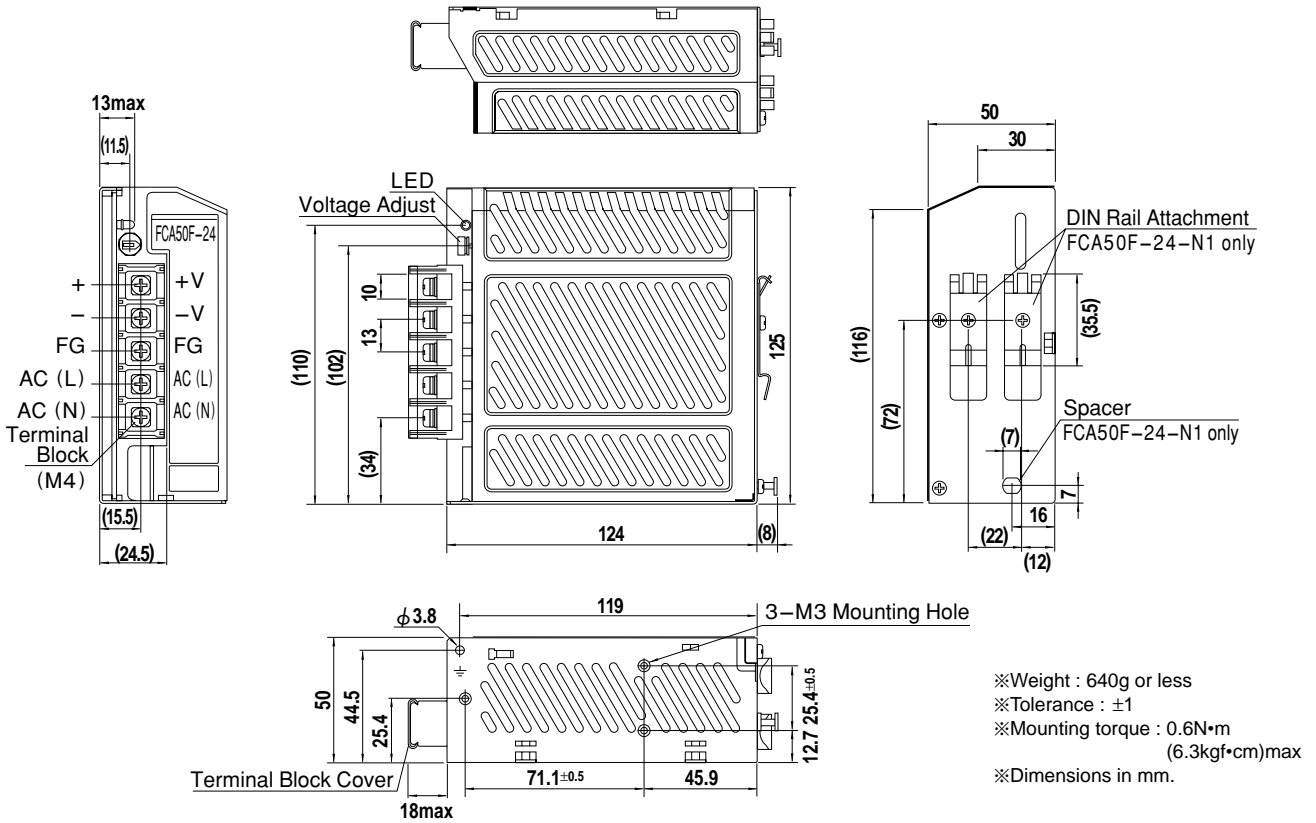
MODEL	FCA50F-24
MAX OUTPUT WATTAGE[W]	50(Peak 160)
DC OUTPUT	24V 2.1(Peak 6.7)A

SPECIFICATIONS

	MODEL	FCA50F-24	
INPUT	VOLTAGE[V]	AC187 - 528 1 φ	
	CURRENT[A]	ACIN 240V	0.55typ
		ACIN 480V	0.30typ
	FREQUENCY[Hz]		50/60 (47 - 63)
	EFFICIENCY[%]	ACIN 240V	82typ
		ACIN 480V	78typ
	INRUSH CURRENT[A]	ACIN 240V	25typ (At cold start) (At Room Temperature)
ACIN 480V		50typ (At cold start) (At Room Temperature)	
LEAKAGE CURRENT[mA]		0.75max (60Hz, According to IEC60950)	
OUTPUT	VOLTAGE[V]	24	
	CURRENT[A]	*1 2.1 (Peak 6.7)	
	LINE REGULATION[mV]	96max	
	LOAD REGULATION[mV]	0 - 2.1A	150max
		0 - 6.7A	480max
	RIPPLE[mVp-p]	0 to +50°C *2	240max
		-10 - 0°C *2	320max
	RIPPLE NOISE[mVp-p]	0 to +50°C *2	680max
		-10 - 0°C *2	720max
	TEMPERATURE REGULATION[mV]	-10 to +50°C	600max
	DRIFT[mV]	*5	100max
START-UP TIME[ms]		800max (ACIN 240V, Io=100%)	
HOLD-UP TIME[ms]		10typ (ACIN 240V, Io=100%)	
OUTPUT VOLTAGE ADJUSTMENT RANGE[V]		21.6 - 26.4	
PROTECTION CIRCUIT AND OTHERS	OVERCURRENT PROTECTION	Works over 105% of peak current and recovers automatically	
	OVERVOLTAGE PROTECTION	Works at 115 - 140% of rating	
	OPERATING INDICATION	LED (Green)	
ISOLATION	INPUT-OUTPUT	AC3.000V 1minute, Cutoff current = 10mA, DC500V 50MΩ min (At Room Temperature)	
	INPUT-FG	AC2.000V 1minute, Cutoff current = 10mA, DC500V 50MΩ min (At Room Temperature)	
	OUTPUT-FG	AC500V 1minute, Cutoff current = 100mA, DC500V 50MΩ min (At Room Temperature)	
ENVIRONMENT	OPERATING TEMP., HUMID. AND ALTITUDE	-10 to +70°C, 20 - 90%RH (Non condensing) (Refer to DERATING CURVE), 3,000m (10,000feet) max	
	STORAGE TEMP., HUMID. AND ALTITUDE	-20 to +75°C, 20 - 90%RH (Non condensing), 9,000m (30,000feet) max	
	VIBRATION	*3 10 - 55Hz, 19.6m/s ² (2G), 3minutes period, 60minutes each along X, Y and Z axis	
	IMPACT	*3 196.1m/s ² (20G), 11ms, once each X, Y and Z axis	
SAFETY AND NOISE REGULATIONS	AGENCY APPROVALS	UL1950, C-UL, EN60950, EN50178	
	CONDUCTED NOISE	Complies with FCC-A, CISPR11-A, EN55011-A	
OTHERS	CASE SIZE/WEIGHT	*4 50 X 125 X 124mm (W X H X D) / 640g max	
	COOLING METHOD	Convection	

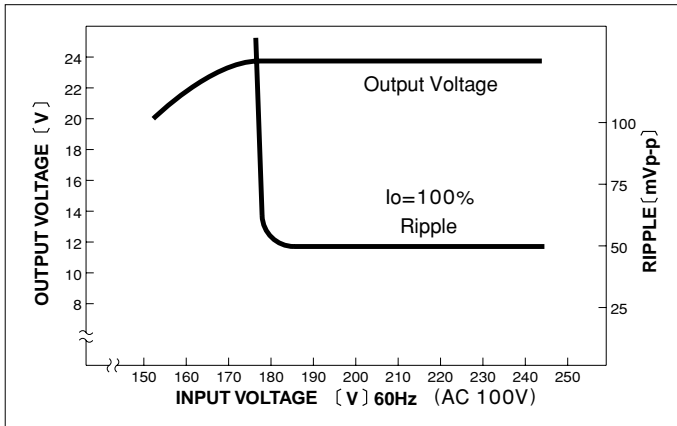
- *1 Peak current for 150ms in a 30seconds period is acceptable.
- *2 In case of rated input/output(ACIN240-480V/2.1A), either the 20MHz oscilloscope or the ripple noise meter(equivalent to Keisokugiken:RM101) is used.
- *3 Option with DIN rail attachment(N1) is only for direction X(Refer to sec4.2 in manual).
- *4 Depth of power supply is 132mm with DIN rail attachment.
- *5 Drift is the change in DC output for an eight hour period after a half-hour warm-up at 25°C, with the input voltage held constant at the rated input/output.

External view

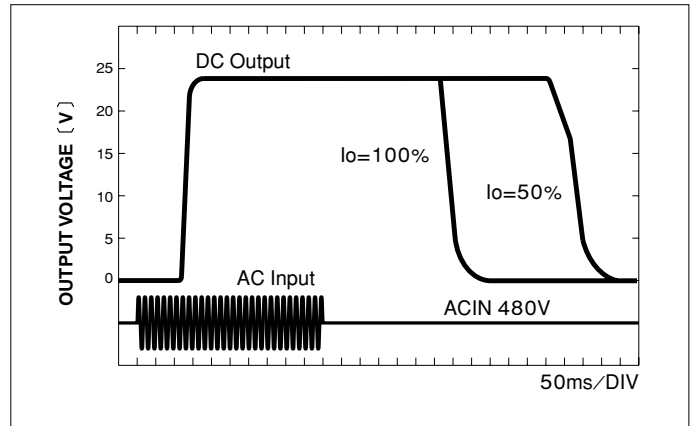


Performance data

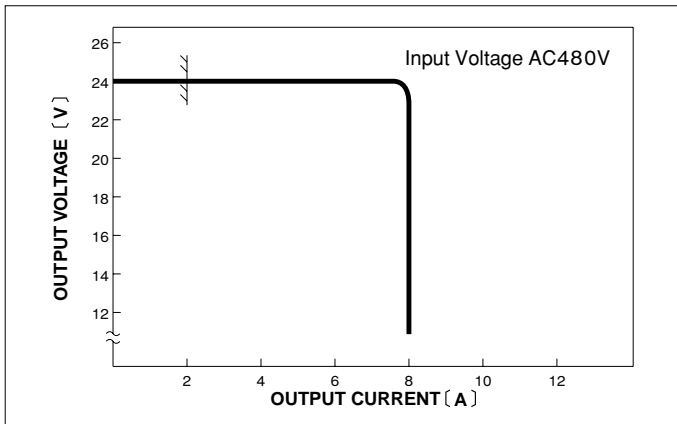
■ STATIC CHARACTERISTICS



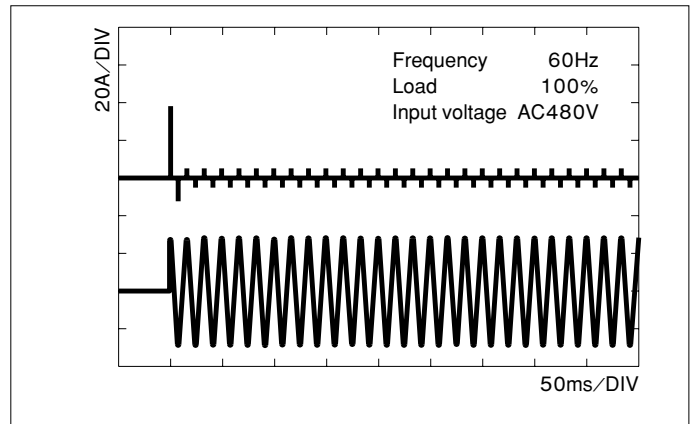
■ RISE TIME & FALL TIME



■ OVERCURRENT CHARACTERISTICS



■ INRUSH CURRENT





Unit type

FCA75F

Ordering information

FCA 75 F -24 -□

- ① Series name
- ② Output wattage
- ③ Universal input
- ④ Output voltage
- ⑤ Optional
N1 :with DIN rail attachment

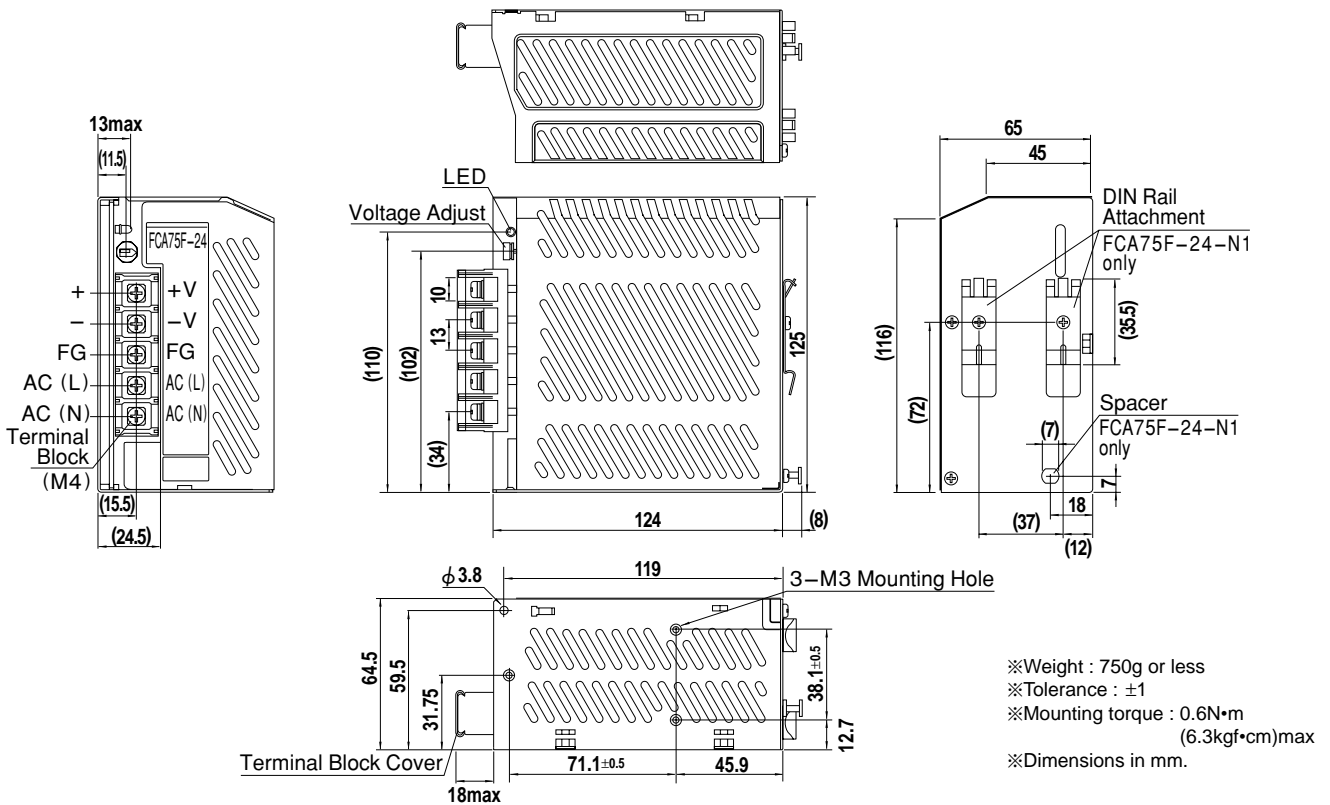
MODEL	FCA75F-24
MAX OUTPUT WATTAGE[W]	75(Peak 240)
DC OUTPUT	24V 3.1(Peak 10)A

SPECIFICATIONS

	MODEL	FCA75F-24	
INPUT	VOLTAGE[V]	AC187 - 528 1 φ	
	CURRENT[A]	ACIN 240V	0.80typ
		ACIN 480V	0.45typ
	FREQUENCY[Hz]	50/60 (47 - 63)	
	EFFICIENCY[%]	ACIN 240V	82typ
		ACIN 480V	78typ
	INRUSH CURRENT[A]	ACIN 240V	25typ (At cold start) (At Room Temperature)
ACIN 480V		50typ (At cold start) (At Room Temperature)	
LEAKAGE CURRENT[mA]	0.75max (60Hz, According to IEC60950)		
OUTPUT	VOLTAGE[V]	24	
	CURRENT[A]	*1 3.1 (Peak 10)	
	LINE REGULATION[mV]	96max	
	LOAD REGULATION[mV]	0 - 3.1A	150max
		0 - 10A	480max
	RIPPLE[mVp-p]	0 to +50°C *2	240max
		-10 - 0°C *2	320max
	RIPPLE NOISE[mVp-p]	0 to +50°C *2	680max
		-10 - 0°C *2	720max
	TEMPERATURE REGULATION[mV]	-10 to +50°C	600max
	DRIFT[mV]	*5	100max
	START-UP TIME[ms]	800max (ACIN 240V, Io=100%)	
	HOLD-UP TIME[ms]	10typ (ACIN 240V, Io=100%)	
OUTPUT VOLTAGE ADJUSTMENT RANGE[V]	21.6 - 26.4		
PROTECTION CIRCUIT AND OTHERS	OVERCURRENT PROTECTION	Works over 105% of peak current and recovers automatically	
	OVERVOLTAGE PROTECTION	Works at 115 - 140% of rating	
	OPERATING INDICATION	LED (Green)	
ISOLATION	INPUT-OUTPUT	AC3,000V 1minute, Cutoff current = 10mA, DC500V 50MΩ min (At Room Temperature)	
	INPUT-FG	AC2,000V 1minute, Cutoff current = 10mA, DC500V 50MΩ min (At Room Temperature)	
	OUTPUT-FG	AC500V 1minute, Cutoff current = 100mA, DC500V 50MΩ min (At Room Temperature)	
ENVIRONMENT	OPERATING TEMP.,HUMID.AND ALTITUDE	-10 to +70°C, 20 - 90%RH (Non condensing) (Refer to DERATING CURVE), 3,000m (10,000feet) max	
	STORAGE TEMP.,HUMID.AND ALTITUDE	-20 to +75°C, 20 - 90%RH (Non condensing), 9,000m (30,000feet) max	
	VIBRATION	*3 10 - 55Hz, 19.6m/s ² (2G), 3minutes period, 60minutes each along X, Y and Z axis	
	IMPACT	*3 196.1m/s ² (20G), 11ms, once each X, Y and Z axis	
SAFETY AND NOISE REGULATIONS	AGENCY APPROVALS	UL1950, C-UL, EN60950, EN50178	
	CONDUCTED NOISE	Complies with FCC-A, CISPR11-A, EN55011-A	
OTHERS	CASE SIZE/WEIGHT	*4 65 X 125 X 124mm (W X H X D) / 750g max	
	COOLING METHOD	Convection	

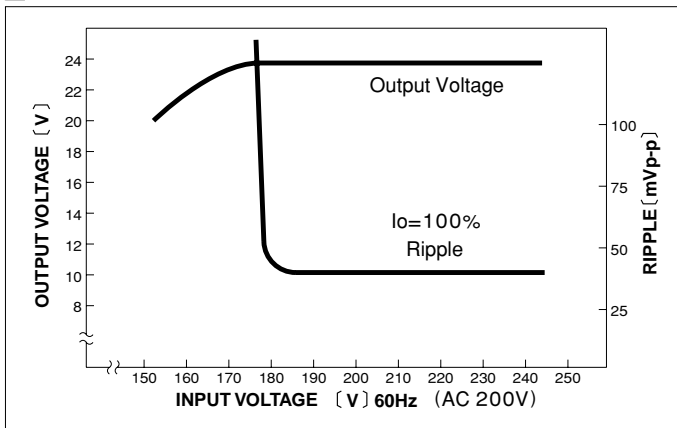
*1 Peak current for 150ms in a 30seconds period is acceptable.
 *2 In case of rated input/output(ACIN240-480V/3.1A), either the 20MHz oscilloscope or the ripple noise meter(equivalent to Keisokugiken:RM101) is used.
 *3 Option with DIN rail attachment(N1) is only for direction X(refer to sec4.2 in manual).
 *4 Depth of power supply is 132mm with DIN rail attachment.
 *5 Drift is the change in DC output for an eight hour period after a half-hour warm-up at 25°C, with the input voltage held constant at the rated input/output.

External view

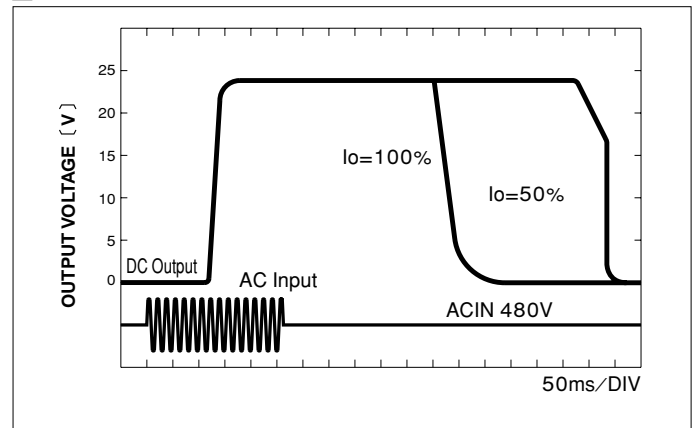


Performance data

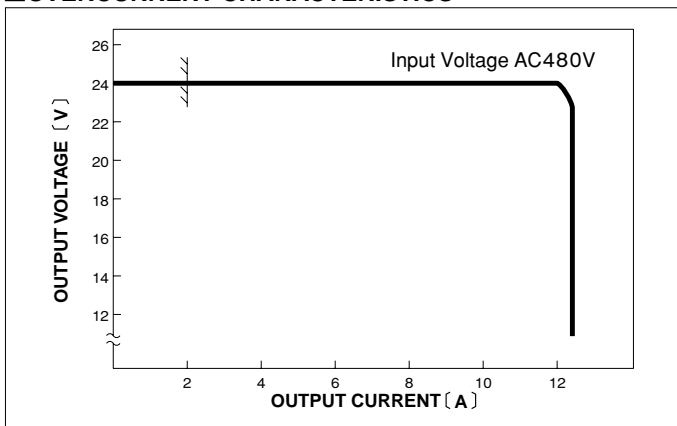
■STATIC CHARACTERISTICS



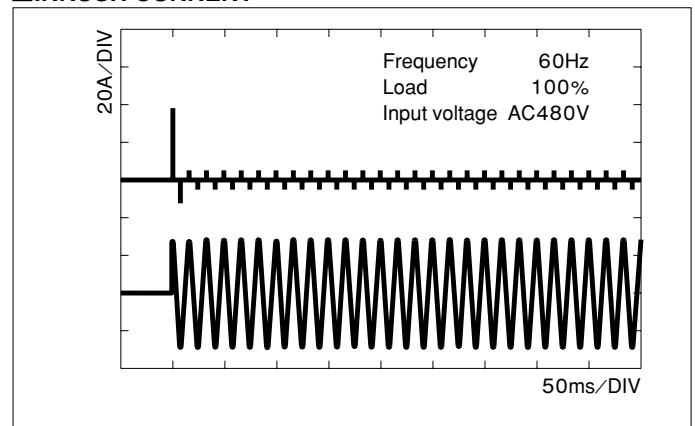
■RISE TIME & FALL TIME



■OVERCURRENT CHARACTERISTICS



■INRUSH CURRENT





Unit type

FCA200F

Ordering information

FCA 200 F -24 -

- ① Series name
- ② Output wattage
- ③ Universal input
- ④ Output voltage
- ⑤ Optional
N1:with DIN rail attachment

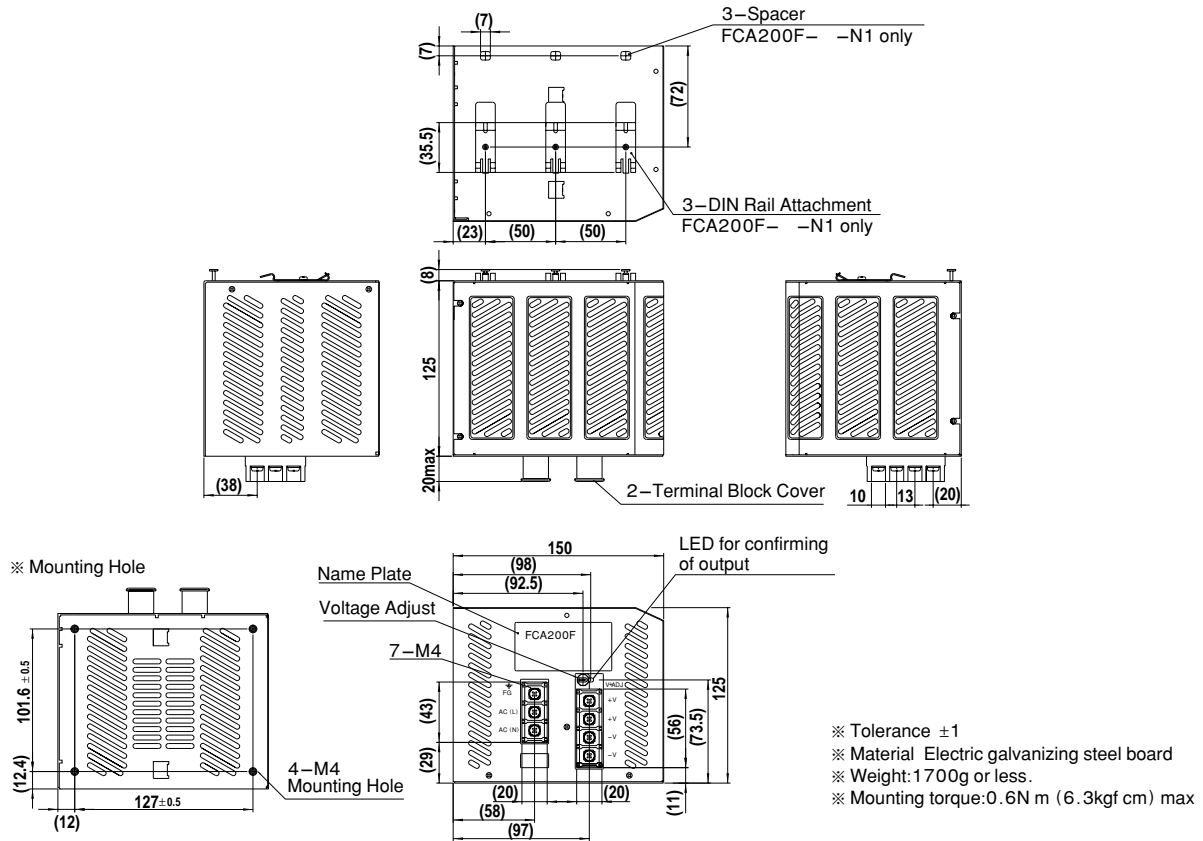
MODEL	FCA200F-24
MAX OUTPUT WATTAGE[W]	200 (Peak 1,008)
DC OUTPUT	24V 8.4 (Peak 42)A

SPECIFICATIONS

MODEL		FCA200F-24	
INPUT	VOLTAGE[V]	AC187 - 528 1 φ	
	CURRENT[A]	ACIN 240V	1.10typ
		ACIN 480V	0.55typ
	FREQUENCY[Hz]	50/60 (47 - 63)	
	EFFICIENCY[%]	ACIN 240V	81typ
		ACIN 480V	81typ
	POWER FACTOR	ACIN 240V	0.98typ
		ACIN 480V	0.93typ
INRUSH CURRENT[A]	ACIN 240V	25typ (At cold start) (At Room Temperature)	
	ACIN 480V	50typ (At cold start) (At Room Temperature)	
LEAKAGE CURRENT[mA]	1.5max (60Hz, According to IEC60950)		
OUTPUT	VOLTAGE[V]	24	
	CURRENT[A]	*1 8.4 (Peak 42)	
	LINE REGULATION[mV]	96max	
	LOAD REGULATION[mV]	0 - 8.4A 150max	
	RIPPLE[mVp-p]	0 to +50°C *2	240max
		-10 - 0°C *2	320max
	RIPPLE NOISE[mVp-p]	0 to +50°C *2	680max
		-10 - 0°C *2	720max
	TEMPERATURE REGULATION[mV]	-10 to +50°C 600max	
	DRIFT[mV]	*5 100max	
	START-UP TIME[ms]	800max (ACIN 240V, Io=100%)	
HOLD-UP TIME[ms]	100typ (ACIN 240V, Io=100%)		
OUTPUT VOLTAGE ADJUSTMENT RANGE[V]	21.6 - 26.4		
PROTECTION CIRCUIT AND OTHERS	OVERCURRENT PROTECTION	Works over 105% of peak current and recovers automatically	
	OVERVOLTAGE PROTECTION	Works at 115 - 140% of rating	
	OPERATING INDICATION	LED (Green)	
ISOLATION	INPUT-OUTPUT	AC3,000V 1minute, Cutoff current = 10mA, DC500V 50MΩ min (At Room Temperature)	
	INPUT-FG	AC2,000V 1minute, Cutoff current = 10mA, DC500V 50MΩ min (At Room Temperature)	
	OUTPUT-FG	AC500V 1minute, Cutoff current = 100mA, DC500V 50MΩ min (At Room Temperature)	
ENVIRONMENT	OPERATING TEMP., HUMID. AND ALTITUDE	-10 to +60°C, 20 - 90%RH (Non condensing) (Refer to DERATING CURVE), 3,000m (10,000feet) max	
	STORAGE TEMP., HUMID. AND ALTITUDE	-20 to +75°C, 20 - 90%RH (Non condensing), 9,000m (30,000feet) max	
	VIBRATION	*3 10 - 55Hz, 19.6m/s ² (2G), 3minutes period, 60minutes each along X, Y and Z axis	
	IMPACT	*3 196.1m/s ² (20G), 11ms, once each X, Y and Z axis	
SAFETY AND NOISE REGULATIONS	AGENCY APPROVALS	UL60950, C-UL, EN60950	
	CONDUCTED NOISE	Complies with FCC-A, CISPR11-A, EN55011-A	
OTHERS	CASE SIZE/WEIGHT	*4 150 × 125 × 125mm (W × H × D) / 1,700g max	
	COOLING METHOD	Convection	

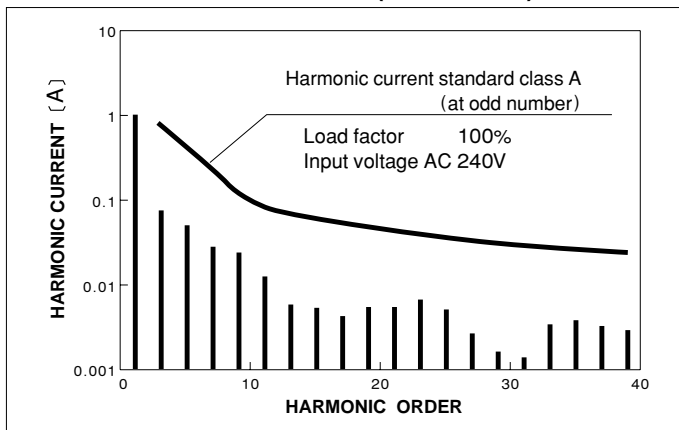
*1 Peak current for 50ms in a 30seconds period is acceptable.
 *2 In case of rated input/output(ACIN240-480V/8.4A), either the 20MHz oscilloscope or the ripple noise meter(equivalent to Keisokugiken:RM101) is used.
 *3 Option with DIN rail attachment(N1) is only for direction X(Refer to sec4.2 in manual).
 *4 Depth of power supply is 133mm with DIN rail attachment.
 *5 Drift is the change in DC output for an eight hour period after a half-hour warm-up at 25°C, with the input voltage held constant at the rated input/output.

External view

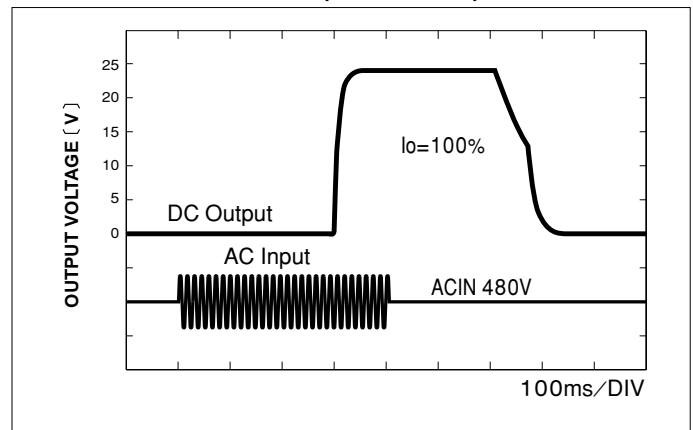


Performance data

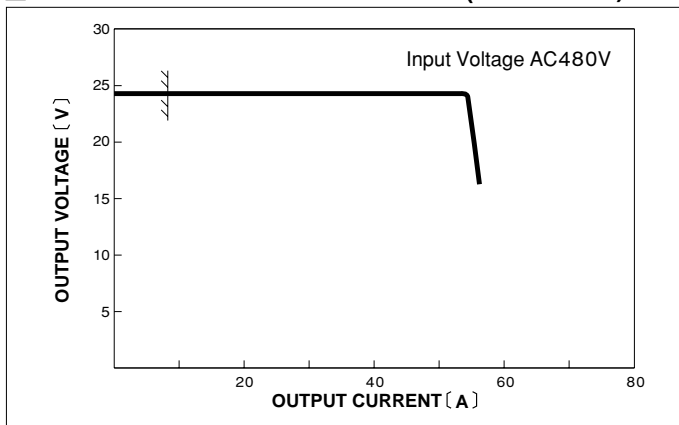
INPUT HARMONIC CURRENT (FCA200F-24)



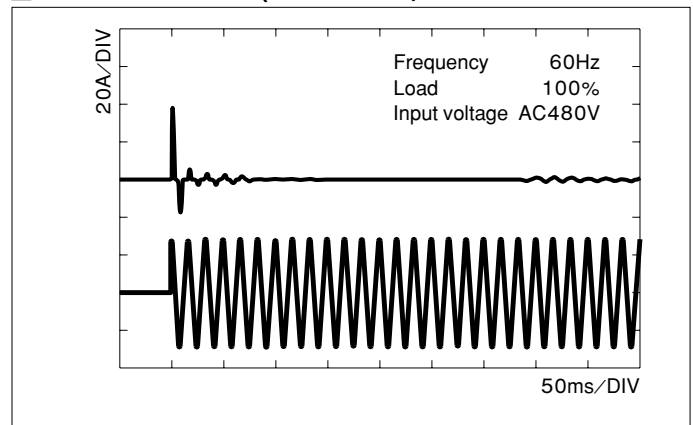
RISE TIME & FALL TIME (FCA200F-24)



OVERCURRENT CHARACTERISTICS (FCA200F-24)



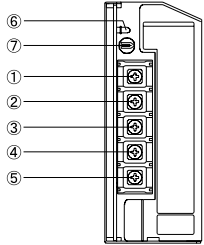
INRUSH CURRENT (FCA200F-24)



Instruction Manual

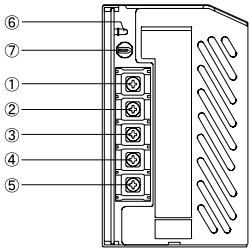
1 Terminal Block

●FCA50F



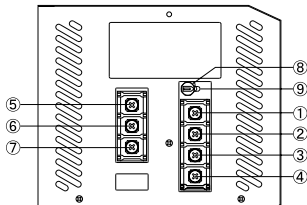
- ①+V
- ②-V
- ③FG
- ④AC(L)
- ⑤AC(N)
- ⑥LED
- ⑦Output voltage adjustable potentiometer

●FCA75F



- ①+V
- ②-V
- ③FG
- ④AC(L)
- ⑤AC(N)
- ⑥LED
- ⑦Output voltage adjustable potentiometer

●FCA200F



- ①+V
- ②+V
- ③-V
- ④-V
- ⑤FG
- ⑥AC(L)
- ⑦AC(N)
- ⑧Output voltage adjustable potentiometer
- ⑨LED

2 Function

2.1 Input voltage range

- The range is from AC187V to AC528V single phase.
AC input voltage must have a range from AC187V to AC528V for normal operation. If the wrong input is applied, the unit will not operate properly and/or may be damaged.

2.2 Inrush current limiting

- Inrush current limiting is built-in.
- If a switch on the input side is installed, it has to be the one handling the input inrush current.
The thermistor is used for protection from inrush current. When power is turned ON/OFF repeatedly within a short period of time, it is necessary to have enough time for power supply to cool down.

2.3 Overcurrent protection

- Overcurrent protection is built-in and comes into effect at over 105% of the rated current.
Overcurrent protection prevents the unit from short-circuit, overcurrent, or peak current exceeding the specified range.
The unit automatically recovers when the fault condition is cleared.

2.4 Peak current protection

- Peak current protection is built into FCA200F.
When the power supply is operated at as follows, this function comes into effect and shut down the output.
 - ①Continuous over rated current.
 - ②Over peakload based on 2.8 peak current.
 Output shall resume about 120 seconds after power is turned off.

2.5 Thermal protection

- Thermal protection is built into FCA200F.
When the power supply is operated at as follows, this function comes into effect and shut down the output.
 - ①Over rated temperature.
 - ②Poor ventilation.
 - ③Continuous over rated current.
 - ④Over peakload based on 2.8 peak current.
 Turn off power and drop the temperature to normal level.
Output shall resume after applying input voltage.

2.6 Overvoltage protection

- Overvoltage protection is built-in and comes into effect at 115 - 140% of the rated voltage.
The AC input should be shut down if overvoltage protection is in operation.
The minimum interval of AC recycling for recovery is 2 to 3 minutes.
The recovery time varies depending on input voltage and load during operation.

Remarks:

- Please note that the unit's internal components may be damaged if excessive voltage (over rated voltage) is applied to output terminal of power supply.
This could happen when the customer tests the overvoltage performance of the unit.

2.7 Output voltage adjustment range

- Adjustment of output voltage is possible by using potentiometer.
- Output voltage is increased by turning potentiometer clockwise and is decreased by turning potentiometer counterclockwise.

Instruction Manual

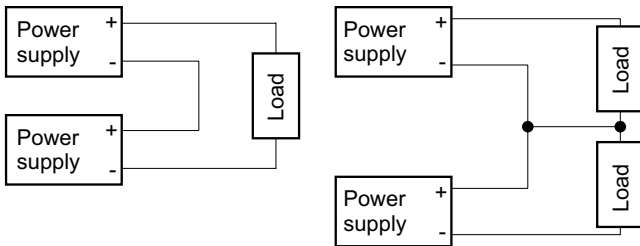
2.8 Isolation

- For a receiving inspection, such as Hi-Pot test gradually increase (decrease) the voltage for the start (shut down) .
- Avoid using Hi-Pot tester with the timer because it may generate voltage a few times higher than the applied voltage, at ON/OFF of a timer.
- If the unit is tested on the isolation between input & output and output & FG, remote ON/OFF (option) must be shorted to outputs.

3 Series Operation and Parallel Operation

3.1 Series operation

- Series operation is available by connecting the outputs of two or more power supplies with the same output voltage, as shown below. Output current in series connection should be lower than the lowest rated current in each unit.



3.2 Parallel operation

- Parallel operation is not possible.

4 Assembling and Installation Method

4.1 Installation method

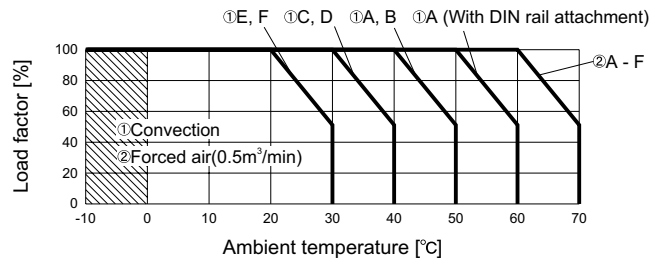
- When two or more power supplies are used side by side, position them with proper intervals to allow enough air ventilation. Ambient temperature around each power supply should not exceed the temperature range shown in derating curve.
- When cooling by forced air, arrange the fan so that ventilation can be fully obtained inside the power unit.
- Option with DIN rail attachment(option symbol:-N1) is only for mounting A. Otherwise, vibration and shock will make the power unit come off, which is dangerous.

4.2 Derating

- According to mounting directions, ambient temperature and load factor differ. Refer to the derating table below.

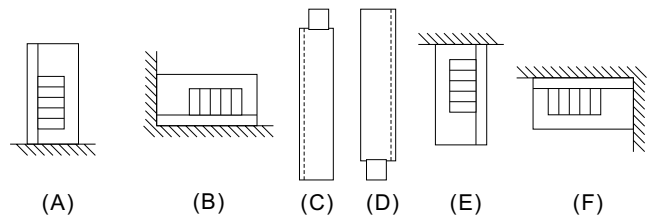
In the hatched area, the specification of Ripple, Ripple noise is different from other area.

● FCA50F/75F

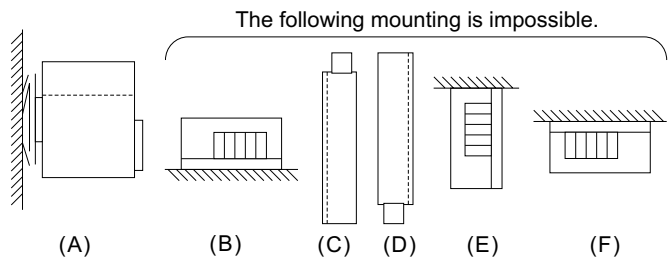


■ Installation method

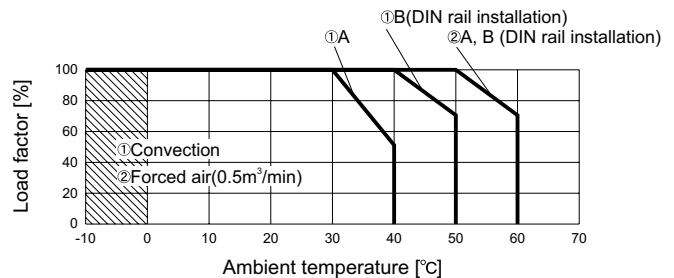
● Mounting screw



● Mounting DIN rail (Option with DIN rail attachment. Option symbol: N1)

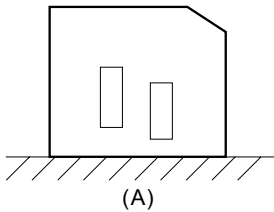


● FCA200F

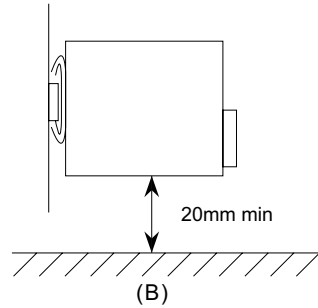


Instruction Manual

● Mounting screw installation



● Mounting DIN rail (Option:-N1) installation

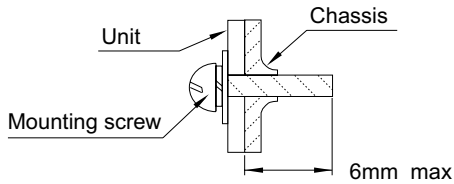


Remarks:

Mounting DIN rail installation is standard position only.
Please do not try to install with the ways except (B) since a unit will be removed by vibration and impact and it will be dangerous.

4.3 Mounting screw

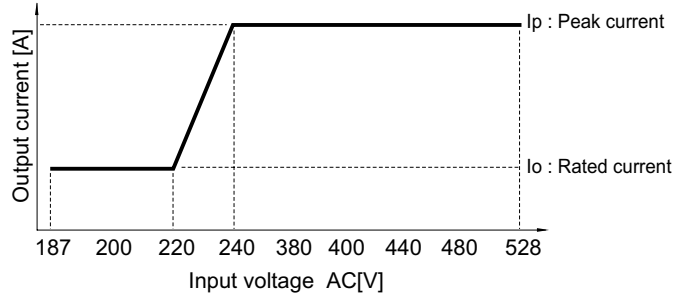
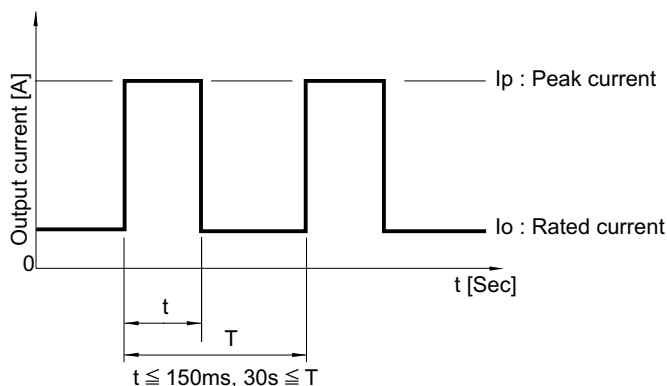
- Keep isolation distance between screw and internal components as below chart.



5 Peak Loading

- Avoid the use except under the following conditions, or failure of internal elements may be caused.
- Because of the characteristic of load(pulse load), noise may be generated from the power unit. Prior to use in the quiet location, checking is required.

● FCA50F/75F



● FCA200F

