



Weatherproof Covers

We offer a full line of weatherproof electrical products for safe installation and operation in wet or damp locations. The line includes In-Use Weatherproof Covers and moisture sealed Lighting Fixtures, all NEMA 3R rated and UL-listed.

Our assortment of in-use weatherproof outdoor receptacle covers are available in single gang and double gang vertical and horizontal configurations with clear or grey covers. They are paintable to match decor. All are nonmetallic, noncorrosive and impact resistant for a long, service-free life.

[See page 02](#)



In-Use Weatherproof Covers

We offer a full line of weatherproof electrical products for safe installation and operation in wet or damp locations. The line includes In-Use Weatherproof Covers and moisture sealed Lighting Fixtures, all NEMA 3R rated and UL-listed. These In-Use Weatherproof covers are intended for wet locations that require protection for electrical devices while in-use. And because of their strength and durability they can be used year round without rusting or fading.

Features

NEMA Type 3R Rated, Meets NEC article 410-57 while in use, Tamper resistant (lockable), Paintable, Nonmetallic, Nonconductive, Noncorrosive.

[See page 04](#)



Weatherproof Boxes

We offer a full line of weatherproof electrical products for safe installation and operation in wet or damp locations. The line includes In-Use Weatherproof Covers and moisture sealed Lighting Fixtures, all NEMA 3R rated and UL-listed.

These Weatherproof „T“ Boxes are for use with nonmetallic wiring systems only.

[See page 06](#)



Weatherproof Lighting Systems

We offer a full line of weatherproof electrical products for safe installation and operation in wet or damp locations. The line includes In-Use Weatherproof Covers and moisture sealed Lighting Fixtures, all NEMA 3R rated and UL-listed.

These Nonmetallic Flood Lights and Par Lamp Holders are ideal for outdoor residential or commercial applications. Our lighting systems are nonconductive and safe for wet or damp locations. Available in grey or white, they will compliment any exterior.

Features

- Nonmetallic
- Nonconductive
- Easy to install
- Paintable
- Durable
- Rust proof

[See page 05](#)



In-Use Weatherproof Fixture

We offer a full line of weatherproof electrical products for safe installation and operation in wet or damp locations. The line includes In-Use Weatherproof Covers and moisture sealed Lighting Fixtures, all NEMA 3R rated and UL-listed.

This nonmetallic Weatherproof Fixture is molded from high quality engineered thermoplastic materials, suitable for operation in wet and damp locations and corrosive environments. The one piece design offers a 20.25 cu.in. wiring capacity and is UL and cUL listed. It is also listed for 60° AWG wire with the use of a 150Watt lamp.

The fixture can be surface mounted or mounted to a junction box and is listed for through branch circuit wiring. A choice of glass or Polycarbonate globes is available to suit a variety of specific applications.

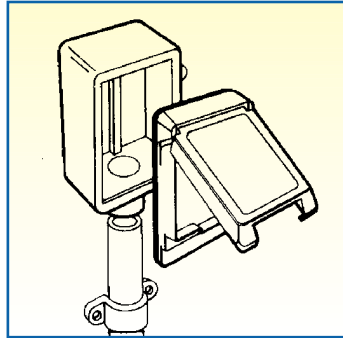
[See page 06](#)



These weatherproof covers are rain-tight and drip-proof when the cover is closed. They are intended for wet environments and offer protection to outdoor electrical devices. They may be mounted to Type FS boxes or a smooth, flat nonporous surface. Lids snap-off for easy access to top screw holes.

Features

- Nonconductive
- Nonmetallic
- Noncorrosive
- Durable
- Paintable
- Easy to install



Installation Instructions

- Turn off power when installing electrical devices.
- Place gasket on top of outlet box.
- Fasten cover to outlet box with enclosed screws.

This cover must be installed in accordance with the National Electrical Code (NEC) and local codes.

These covers can be mounted to Type FS boxes, or a smooth, flat nonporous mounting surface. (Use 1/4" bead RTV type, silicone, neoprene, urethane, or polyurethane caulking between gasket and mounting surface on non-box mountings.)

Single Gang Covers

15 AMP Receptacle Cover

For 15A or other single receptacles under 1.375" (34.9mm) diameter.



Part No.	Color	Std. Ctn. Qty.	Std. Ctn. Wt. (kg)
E98SRCN-CAR	Grey	10	0.95

50 AMP Receptacle Cover

For 50A or other single receptacles under 2.250" (57.2mm) diameter.



Part No.	Color	Std. Ctn. Qty.	Std. Ctn. Wt. (kg)
E98G5FN-CAR	Grey	10	0.91

20 AMP Receptacle Cover

For 20A or other single receptacles under 1.625" (41.3mm) diameter.



Part No.	Color	Std. Ctn. Qty.	Std. Ctn. Wt. (kg)
E98G20N	Grey	20	1.86

Duplex Receptacle Cover

For single gang duplex receptacle applications.



Part No.	Color	Std. Ctn. Qty.	Std. Ctn. Wt. (kg)
E98GDRN-CAR	Grey	10	0.91

30 AMP Receptacle Cover

For 30A or other single receptacles under 1.750" (44.5mm) diameter.



Part No.	Color	Std. Ctn. Qty.	Std. Ctn. Wt. (kg)
E98G30N-CAR	Grey	10	0.95

GFI Receptacle Cover

For GFI receptacle applications. Device opening dimensions: 2.63" (66.8mm) H x 1.31" (33.3mm) W.



Part No.	Color	Std. Ctn. Qty.	Std. Ctn. Wt. (kg)
E98GFCN-CAR	Grey	10	0.91

Made in the U.S.A.

Single Gang Covers

Duplex Receptacle Cover – Horizontal Mount

For single gang duplex receptacle applications.



Part No.	Color	Std. Ctn. Qty.	Std. Ctn. Wt. (kg)
E98DHGN-CAR	Grey	10	1.77

GFI Horizontal Cover

For GFI receptacle applications. Device opening dimensions: 2.63" (66.8mm) W x 1.31" (33.3mm) H.



Part No.	Color	Std. Ctn. Qty.	Std. Ctn. Wt. (kg)
E98GHGN-CAR	Grey	10	0.86

Circuit Breaker Cover

For circuit breaker applications up to 4 single poles. Device opening dimensions: 2.845" (72.3mm) H x 2.265" (57.5mm) W.



Part No.	Color	Std. Ctn. Qty.	Std. Ctn. Wt. (kg)
E98GCBN	Grey	20	1.77

Single Switch Cover

For single switches.



Part No.	Color	Std. Ctn. Qty.	Std. Ctn. Wt. (kg)
E98SSCN-CAR	Grey	10	0.95

Toggle Switch Cover

For single weatherproof toggle switch applications.



Part No.	Color	Std. Ctn. Qty.	Std. Ctn. Wt. (kg)
E98TSCN-CAR	Grey	5	0.50

Two Gang Covers

Double Duplex

For two gang duplex receptacle applications.



Part No.	Color	Std. Ctn. Qty.	Std. Ctn. Wt. (kg)
E9G2DDN-CAR	Grey	10	1.04

Double Toggle Cover

For two gang weatherproof toggle switch applications.



Part No.	Color	Std. Ctn. Qty.	Std. Ctn. Wt. (kg)
E9G2SSN	Grey	6	1.45

Combination Toggle/GFI Cover

For two gang GFI and weatherproof toggle switch applications.



Part No.	Color	Std. Ctn. Qty.	Std. Ctn. Wt. (kg)
E9G2GTN-CAR	Grey	5	0.59

Combination Toggle/Duplex Receptacle Cover

For two gang duplex receptacles, and weatherproof toggle switch applications.



Part No.	Color	Std. Ctn. Qty.	Std. Ctn. Wt. (kg)
E9G2DSN-CAR	Grey	10	0.59

Blank Covers

Single Gang Cover

Fits our single gang FS boxes. Supplied with stainless steel mounting screws and gasket.



Part No.	Color	Std. Ctn. Qty.	Std. Ctn. Wt. (kg)
*E980CN-CAR	Grey	12	0.68

Two Gang Cover

Fits our two gang FS boxes and other nonmetallic and metallic FS boxes. Supplied with stainless steel mounting screws and gasket.



Part No.	Color	Std. Ctn. Qty.	Std. Ctn. Wt. (kg)
*E980CN-CAR	Grey	10	0.82

Made in the U.S.A.



These In-Use Weatherproof covers are intended for wet locations that require protection for electrical devices while in-use. And because of their strength and durability they can be used year round without rusting or fading.

Installation Instructions

This Cover can be mounted to an FS type box intended for wet locations, or a smooth, flat mounting surface.

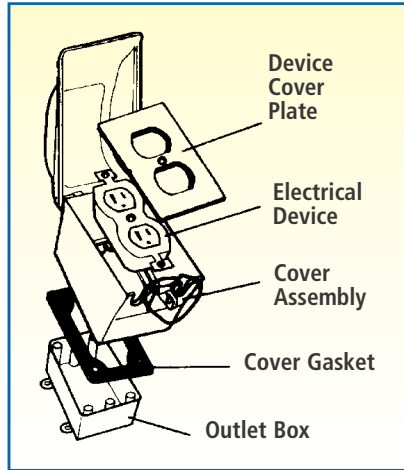
Installation of wiring devices and this Cover by an electrician or individual that has a basic understanding of electrical wiring is also recommended.

This cover must be installed in accordance with the National Electrical Code (NEC) and local codes.

The Cover complies with NEC article 410-57 for outdoors, and subrule 26-706 of the Canadian Electrical Code.

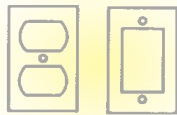
Features

- NEMA Type 3R Rated
- Meets NEC article 410-57 while in use
- Tamper resistant (lockable)
- Paintable
- Nonmetallic
- Nonconductive
- Noncorrosive



In-Use Weatherproof Covers – NEMA Type 3R Rated

Single Gang Horizontal



Includes: one duplex receptacle plate, one GFI receptacle plate, one cover, one base with gasket and screws.



Part No.	Color	Std. Ctn. Qty.	Std. Ctn. Wt. (kg)
E9UHGRN	Grey	4	0.95
E9UHWRN	White	4	1.00
E9UHCRN	Clear	4	0.91

Single Gang Vertical

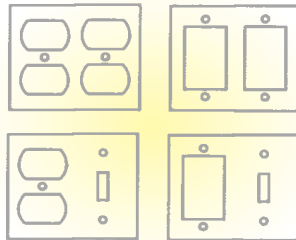


Includes: one switch plate, one duplex receptacle plate, one GFI receptacle plate, one cover, one base with gasket and screws.



Part No.	Color	Std. Ctn. Qty.	Std. Ctn. Wt. (kg)
E9UVGRN	Grey	12	2.36
E9UVWRN	White	12	2.41
E9UVCRN	Clear	12	2.27

Double Gang



Includes: double duplex receptacle plate, double GFI receptacle plate, combination duplex and toggle plate, combination GFI and toggle plate, one cover, one base with gasket and screws.



Part No.	Color	Std. Ctn. Qty.	Std. Ctn. Wt. (kg)
E9U2GRN	Grey	6	1.91
E9U2WRN	White	6	1.95
E9U2CRN	Clear	6	1.86

Single Gang Vertical Deep



Includes: one switch plate, one duplex receptacle plate, one GFI receptacle plate, one single receptacle plate*, one cover, one base with gasket and screws.



Part No.	Color	Std. Ctn. Qty.	Std. Ctn. Wt. (kg)
E9UDVGRN	Grey	8	2.63
E9UDVWRN	White	8	2.63
E9UDVCRN	Clear	8	3.90

*1.60" (40.6mm) diameter – fits 20 amp twistlock or standard 30 amp receptacle.

Made in the U.S.A.

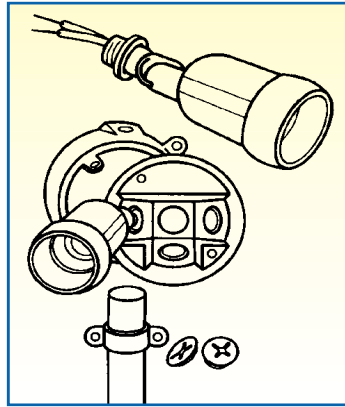


E70380
E183934
Except where noted by ▶

These Nonmetallic Flood Lights and Par Lamp Holders are ideal for outdoor residential or commercial applications. Our lighting systems are nonconductive and safe for wet or damp locations. Available in grey or white, they will compliment any exterior.

Features

- Nonmetallic
- Nonconductive
- Easy to install
- Paintable
- Durable
- Rust proof



Installation Instructions

1. Turn off electricity before starting.
2. Bring power leads into the outlet box and connect using proper wire nuts or insulation materials.
3. Use drill or nail to knock out holes on lampholder cover that align with outlet box. When completed, be sure visual perimeter of weatherproof gasket is even to assure proper seal.
4. Floodlight lampholders can be positioned using two different adjustments. Loosen locknut to turn lampholder assembly to desired position. Tighten locknut. Then depress pushbutton to adjust lampholder to final position.

Lampholders

Rectangular Lampholder Cover



Part No.	Color	Std. Wt. (kg)	Std. Ctn. Ctn. Qty.
P7901W-CAR	White	0.41	12
P7901G-CAR	Grey	0.86	18

Lampholder with Gasket



Part No.	Color	Std. Ctn. Qty.	Std. Ctn. Wt. (kg)
P8001W-CAR	White	24	2.50
P8001G-CAR	Grey	24	2.32

Round Lampholder Cover



Part No.	Color	Std. Wt. (kg)	Std. Ctn. Ctn. Qty.
P7801W-CAR	White	0.73	16
P7801G-CAR	Grey	1.00	16

No-Tool Lampholder with Round Cover Kit



Part No.	Color	Std. Ctn. Qty.	Std. Ctn. Wt. (kg)
P8060W-CAR	White	6	2.63
P8060G-CAR	Grey	6	2.63

Two Lampholders with Rectangular Cover



Part No.	Color	Std. Ctn. Qty.	Std. Ctn. Wt. (kg)
P8005W-CAR	White	6	1.73
P8005G-CAR	Grey	6	1.68

No-Tool Lampholder with Rectangular Cover Kit



Part No.	Color	Std. Ctn. Qty.	Std. Ctn. Wt. (kg)
P8055W-CAR	White	6	2.63
P8055G-CAR	Grey	6	2.63

Two Lampholders with Round Cover



Part No.	Color	Std. Ctn. Qty.	Std. Ctn. Wt. (kg)
P8010W-CAR	White	6	1.77
P8010G-CAR	Grey	6	1.63

Closure Plugs



Part No.	Color	Std. Ctn. Qty.	Std. Ctn. Wt. (kg)
▶ P7701W-CAR	White	30	0.59
▶ P7701G-CAR	Grey	30	0.32

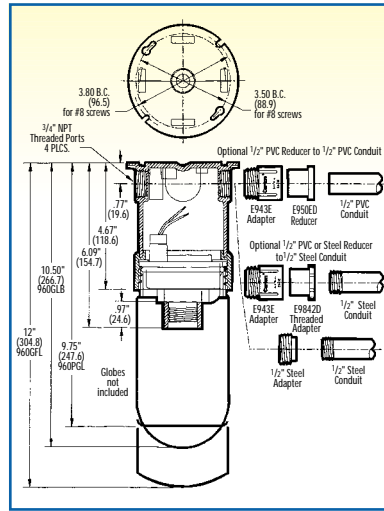
Made in the U.S.A.

Weatherproof Fixture and "T" Boxes

This Nonmetallic Weatherproof Fixture is designed for indoor or outdoor use and is suitable for damp, wet or corrosive environments. The one-piece design offers a 20.25 cu. in. wiring capacity and is approved for 60° AWG wire with the use of a 150 watt lamp. It will accommodate 8 no. 12 AWG through branch circuit conductors and is approved for through branch wiring.

Features

- Nonmetallic - corrosive resistant
- Ceramic socket - long life
- Silicone gasket
- Drill point located on back
- Approved for dwellings
- Junction box approved



Fixture Base



Part No.	Hub Size	Std. Ctn. Qty.	Std. Ctn. Wt. (kg)
E962E	3/4"	6	2.04

Weatherproof "T" Boxes

These Weatherproof "T" Boxes are for use with nonmetallic wiring systems only.

Single Gang "T" Box

With three 1/2" threaded holes. Mounting feet included.



Part No.	Color	Size	Std. Ctn. Qty.	Std. Ctn. Wt. (kg)
▶*E381D-CAR	Grey	1/2"	10	1.04
▶*E381DW-CAR	White	1/2"	10	1.04

Double Gang "T" Box



Part No.	Color	Size	Std. Ctn. Qty.	Std. Ctn. Wt. (kg)
▶*E382DE	Grey	1/2"	6	1.63
▶*E382DEW	White	1/2"	6	1.63

Round "T" Box

With five 1/2" threaded holes. Mounting feet included.



Part No.	Color	Size	Std. Ctn. Qty.	Std. Ctn. Wt. (kg)
▶*E365D-CAR	Grey	1/2"	10	0.54
▶*E365DW-CAR	White	1/2"	10	0.54

*E381D-CAR, E365D-CAR and E382DE are for use with nonmetallic wiring systems only.

Weatherproof Lighting Globes

Clear Glass Globe



Part No.	Std. Ctn. Qty.	Std. Ctn. Wt. (kg)
E960GLB (Clear Glass)	6	3.00

Clear Polycarbonate Globe



Part No.	Std. Ctn. Qty.	Std. Ctn. Wt. (kg)
E960PGL (Clear Plastic)	6	3.00

Rippled Polycarbonate Globe



Part No.	Std. Ctn. Qty.	Std. Ctn. Wt. (kg)
E960GFL	6	2.22