

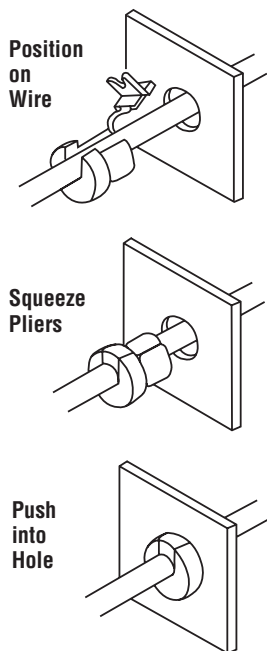
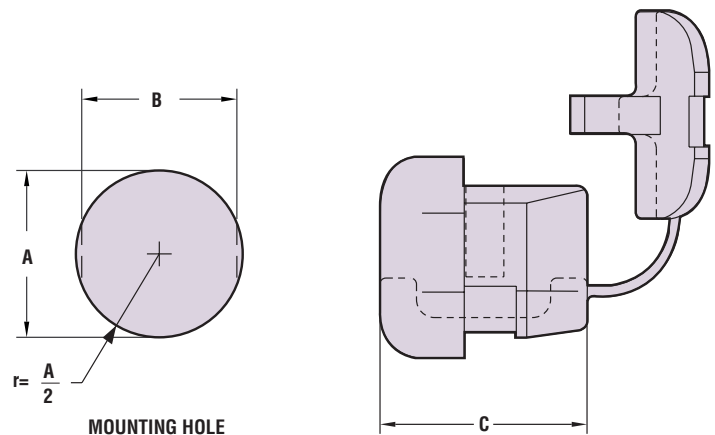
## USA / Canada

### Straight-Thru Strain Relief Bushings For Round Cables



#### Specifications

- Protects the lifeline of your electric / electronic products by absorbing the forces of pull, push and twist that may be exerted on the flexible power cord.
- Securely anchors, insulates, and protects cables and panel entry points.
- Sizes SR2 to SR9 for mounting hole diameters from 9.5mm to 28.6mm.
- Cable Diameters from 3.0mm to 16.3mm.
- Black PA 6.6 to UL 94V-2 (white on special order).
- 125°C maximum on part not exceed 105°C
- UL Recognized (UR) and CSA Certified  
\* VDE Test Report on selected items.



Catalog Number	Cable Diameter	Panel Thickness	Mounting Hole (A)	(B)	(C)	VPE/Pack	EDP-No.
1060 SR 2M-1	3.0 – 4.7	1.6	9.5	8.4	10.3	100	114285
1157 SR 5MN-3	5.6 – 6.2	1.6	12.7 – 13.1	11.4	11.1	100	114284
1140 SR 5M-3	5.6 – 6.2	2.5	12.7 – 13.1	11.4	11.1	100	114283
1150 * SR 5N-4	6.4 – 7.4	1.6	12.7 – 13.1	11.4	11.1	100	114282
1147 * SR 5P-4	6.4 – 7.4	2.5	12.7 – 13.1	11.4	11.1	100	114281
1154 SR 5L-1	6.4 – 7.4	4.0	12.7 – 13.1	11.4	11.1	100	114280
1137 SR 5P3-4	6.4 – 7.4	2.5	12.7 – 13.1	11.4	11.1	100	114279
1184 * SR 6W-1	7.6	2.3	12.7	11.8	11.1	100	114278
1217 SR 6N-4	7.6	1.6	15.9	14.0	14.7	100	114277
1210 SR 6P-4	7.6	3.2	15.9	14.0	14.7	100	114276
1200 * SR 6N3-4	8.3 – 9.1	1.6	15.9	14.0	14.7	100	114275
1207 SR 6P3-4	8.3 – 9.1	3.2	15.9	14.0	14.7	100	114274
1214 * SR 6L-1	7.6 – 9.1	4.0	15.9 – 17.4	14.0	17.5	100	114273
1240 SR 7K-2	8.3 – 9.1	3.2	22.2	19.6	19.0	100	114272
1244 SR 7N-2	9.1 – 10.9	1.6	19.0 – 19.8	16.8	19.0	100	114271
1237 SR 7P-2	9.1 – 10.9	3.2	19.0 – 19.8	16.8	19.0	100	114270
1247 SR 7W-2	9.4 – 10.9	3.2	22.2	19.6	19.0	100	114269
1250 SR 7L-2	9.4 – 10.9	5.1	22.2	19.6	19.0	100	114268
1497 SR 31-2	10.8 – 12.1	3.2	22.2	21.3	20.6	100	114267
1254 SR 8N-1	13.5 – 15.3	1.6	22.2	21.3	20.8	100	114266
1260 SR 8P-2	13.5 – 15.3	3.2	22.2	21.3	20.8	100	114265
1287 SR 9P-2	15.2 – 16.3	7.1	27.7 – 28.6	25.4	25.4	100	114263

To learn more about B-I-A please visit us at our  
WEB site: [www.BiaGmbH.com](http://www.BiaGmbH.com)

