

Single Channel Nonmetallic Surface Raceway
WALLTRAK® 1 Applications



WALLTRAK® 1 is a single channel non-metallic raceway with a patented hinged cover that provides the wiring distribution, storage and interface to your power, voice, and data needs. This locking hinge holds wiring in place during installation. It also prevents the wires from being pinched when the raceway is closed. The neutral office white color of the WallTrak raceway will blend in with virtually any decor. It can be mounted horizontally or vertically, and is complemented by a full line of boxes and fittings. It is available with or without adhesive backing. The base and cover snap tightly together, and can only be opened at the raceway ends, thereby making the system tamper resistant.

Locking Hinge: WallTrak 1 is equivalent to 1/2 inch conduit. When open, WallTrak creates a V-shaped trough to hold wiring in place until raceway is closed. This design allows users to add, remove and access cables easily.

Low Profile: When closed, WallTrak protrudes only about .50 inches (12.7) from the wall.

Two Lengths: WallTrak is available in either 5 foot (1.52m) or 7 foot (2.13m) lengths, making it easier to layout horizontal or vertical runs.

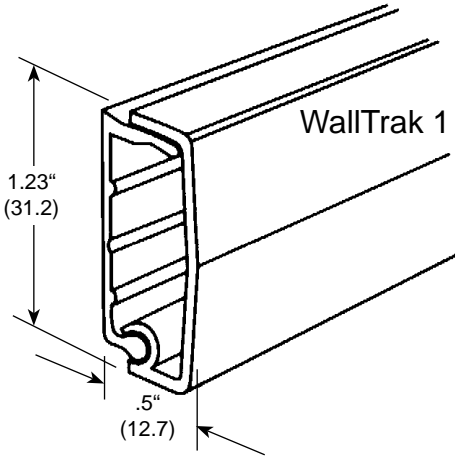
Features	Benefits
Easy to cut and handle	Saves labor costs
Nonmetallic construction	Resists scratching and denting
„Office white“ color	Blends attractively with decor
Low profile design	Neat appearance
Locking hinge	Holds wiring in place without clips
Boxes, fittings, plates	Create a complete system
UL Listed and CSA Certified	Applicable for power or low voltage
Adhesive back available	Easy installation where code allows

Single Channel Nonmetallic Surface Raceway



WALLTRAK® 1 Specifications and Capacities

Dimensions in inches (mm)



Catalog Number	Description	EDP-No.
WT1BC5	WallTrak 1 Base and Cover, 5 ft. length (1.52m)	114664
WT1ABC5	WallTrak 1 same as above - Adhesive	114666
WT1BC7	WallTrak 1 Base and Cover, 7 ft. length (2.13m)	114665
WT1ABC7	WallTrak 1 same as above - Adhesive	114667

Specifications:

- Material:** U.V. Stabilized PVC
- Voltage Rating:** 300V AC Maximum
- Flammability:** UL 94V0
- Listings:** UL Listed (300 lbs. (1334 N) crush resistance and 5 ft./lbs. (6.8 J) impact resistance), CSA Certified
- N.E.C.:** National Electrical Code: Article 352 B
- Adhesive:** Modified Acrylic Base

WallTrak Capacities (40% Fill)

	Power (THHN/T90 Nylon)			Signal	Voice/Data			
	#14	#12	#10	#22	#22 3-U.T. Pair	#24 4-U.T. Pair	25-Pair	Cat. 5 U.T.P.
	.105" O.D.	.122" O.D.	.153" O.D.	.035" O.D.	.215" O.D.	.180" O.D.	.396" O.D.	.242" O.D.
	(2.67)	(3.10)	(3.89)	(0.89)	(5.46)	(4.57)	(10.06)	(6.15)
WT1BC5	14	10	6	131	3	5	0	2

$$\text{Number of conductors} = \frac{\text{raceway cross sectional area}}{\text{cross sectional area of (1) conductor}} \times 0.40$$

WallTrak 1 Division 16 Specification

Nonmetallic Surface Raceway

The nonmetallic surface raceway system specified herein for branch circuit wiring or data, voice, signal wiring shall be the WallTrak or approved equal.

Work shall include furnishing all raceway, and appropriate fittings and boxes to install a nonmetallic surface raceway system as indicated on the electrical drawings and described in this section. Installer shall comply fully with the manufacturer's instructions, and with electrical and safety codes.

The raceway shall be a two-piece design with a base and a snap-on cover. The cover shall be assembled to the base with a locking hinge which creates a V-shaped trough to hold wires in place during installation and to provide access to conductors.

Raceway shall have a .06" (1.52mm) wall and be provided in 5 ft. (1.52m) or 7 ft. (2.13m) lengths. It shall be approximately 1.23" (31.2mm) wide and .50" (12.7mm) deep for series WallTrak (WT1).

Both base and cover are to be manufactured of rigid PVC compound. The base shall have a smooth texture, office white in color; the cover, a light pebble texture, office white in color.

Raceway base and cover shall be designated as WallTrak 1 WT1BC5 (5 feet length) or WT1ABC5 (with adhesive), or WT1BC7 (7 feet length) or WT1ABC7 (with adhesive).

A full complement of nonmetallic fittings must be available, including but not limited to 90° elbows, tees, conduit adapters, splice covers, end caps, and transition adapters. They shall be made of office white rigid PVC material to

match color of raceway „WT1“ series (WallTrak 1).

Device boxes shall include one-gang low profile 1.13" deep (28.7mm), one-gang standard 1.63" deep (41.4mm), one-gang deep 1.91" deep (48.5mm), two-gang deep 1.91" deep (48.5mm), and a 5.31" (134.9mm) round light fixture box 1.05" deep (26.7mm). Each box shall have the capability of accepting WallTrak 1 raceway profile. „WT12“ series.

Face plates shall be nonmetallic „KP“ series to match color of raceway and fit flush to device boxes.

The raceway and all system components must be UL Listed and CSA Certified and exhibit nonflammable self-extinguishing characteristics tested to comparable specifications of UL 94V0.