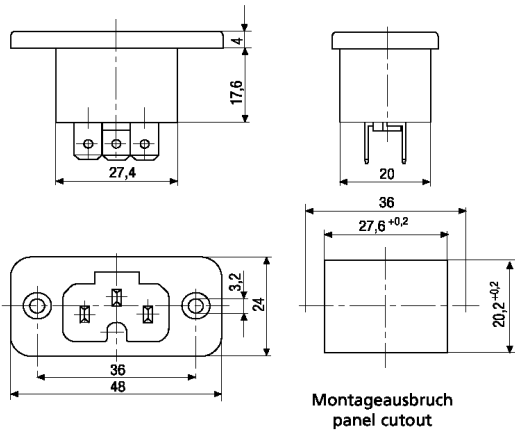


Appliance Inlet T 155 °C

Catalog No. 181X



Ordering Example: 181X - AAA 0 - A - 1

Line / Neutral / Ground
A = screw terminal
8 = blade terminal (4.8mm x 0.8mm)
9 = blade terminal (6.3mm x 0.8mm)

Color
A = black (RAL 9005)
C = light grey (RAL 7035)

Design
1 = flange with countersunk holes
2 = flange with straight through holes



10A/250Vac



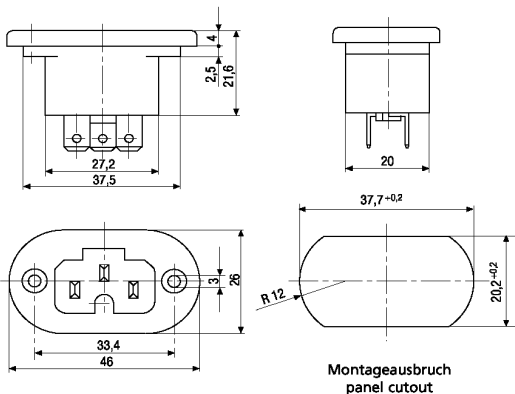
(15A/250Vac)



IEC 60320-1/C16A
EN 60320-1/C16A
VDE 0625-1/C16A

Appliance Inlet T 155 °C

Catalog No. 181A



Ordering Example: 181A - AAA 0 - A - 1

Line / Neutral / Ground
A = screw terminal
8 = blade terminal (4.8mm x 0.8mm)
9 = blade terminal (6.3mm x 0.8mm)

Color
A = black (RAL 9005)
C = light grey (RAL 7035)

Design
1 = flange with countersunk holes



10A/250Vac



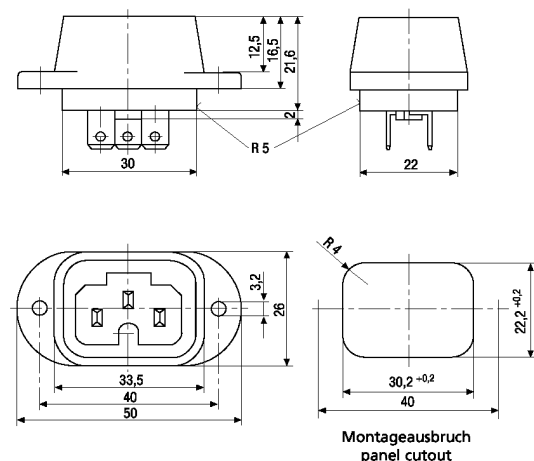
(10A/250Vac)



IEC 60320-1/C16A
EN 60320-1/C16A
VDE 0625-1/C16A

Appliance Inlet T 155 °C

Catalog No. 183X



Ordering Example: 183X - AAA 0 - A - 2

Line / Neutral / Ground
A = screw terminal
8 = blade terminal (4.8mm x 0.8mm)
9 = blade terminal (6.3mm x 0.8mm)

Color
A = black (RAL 9005)
C = light grey (RAL 7035)

Design
2 = flange with straight through holes



10A/250Vac



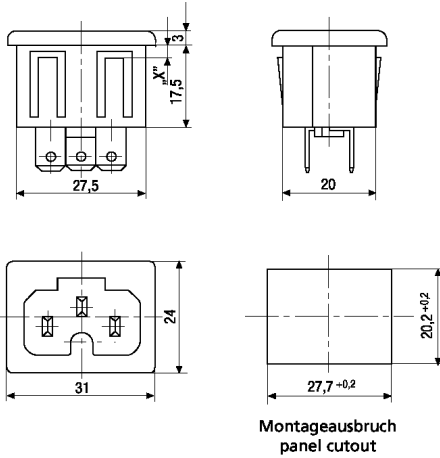
(10A/250Vac)



IEC 60320-1/C16A
EN 60320-1/C16A
VDE 0625-1/C16A

Snap-In Type Appliance Inlet T 155 °C

Catalog No. 184X



Ordering Example: 184X - AAA 0 - A - 4 10

Line / Neutral / Ground
A = screw terminal
8 = blade terminal (4.8mm x 0.8mm)
9 = blade terminal (6.3mm x 0.8mm)

Color
A = black (RAL 9005)
C = light grey (RAL 7035)

Design
snap-in Dimension
X = panel thickness (1/10 mm)
10 = 1.0 mm 15 = 1.5 mm
20 = 2.0 mm 25 = 2.5 mm
30 = 3.0 mm 40 = 4.0 mm



10A/250Vac



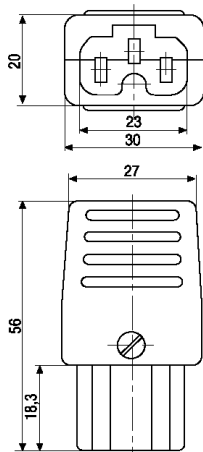
(15A/250Vac)



IEC 60320-1/C16A
EN 60320-1/C16A
VDE 0625-1/C16A

Rewirable Cord Connector T 155 °C

Catalog No. 102X



Ordering Example: 102X - AAA 0 - A - 8 1

Line / Neutral / Ground
A = screw terminal

Color
A = black (RAL 9005)
C = light grey (RAL 7035)

Condition
1 = assembled
2 = disassembled



10A/250Vac



(15A/250Vac)

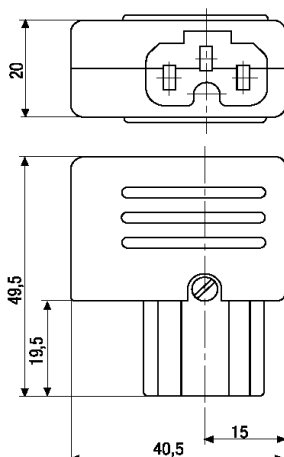


IEC 60320-1/C15A
EN 60320-1/C15A
VDE 0625-1/C15A

European Approval markings only valid with PVC strain relief attached. Please request for PVC strain relief ordered separately.

Angle Cord Connector T 155 °C

Catalog No. 112X



Ordering Example: 112X - AAA 0 - A - 8 1

Line / Neutral / Ground
A = screw terminal

Color
A = black (RAL 9005)
C = light grey (RAL 7035)

Condition
1 = assembled
2 = disassembled



10A/250Vac



IEC 60320-1/C15A
EN 60320-1/C15A
VDE 0625-1/C15A

European Approval markings only valid with PVC strain relief attached. Please request for PVC strain relief ordered separately.