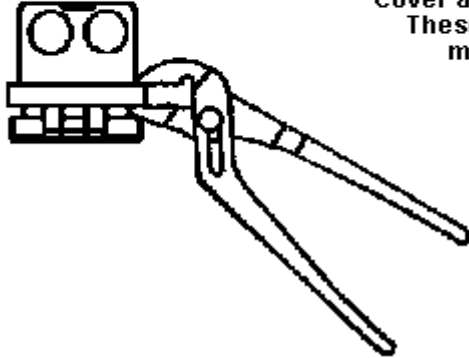


## Aufputzdosen und Aufschnappabdeckungen Surface Boxes and Snap-On Covers

# USA

□ No gaskets and no screws mean no wasted time during the installation and no call-backs to replace corroded parts.

□ The boxes are made of high impact, corrosion-resistant gray PVC. Cover and lid are high impact polycarbonate. These resilient materials allow the cover to snap over tabs molded on the box and lock in place.



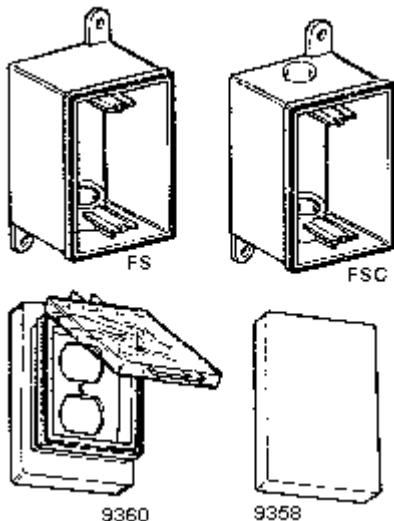
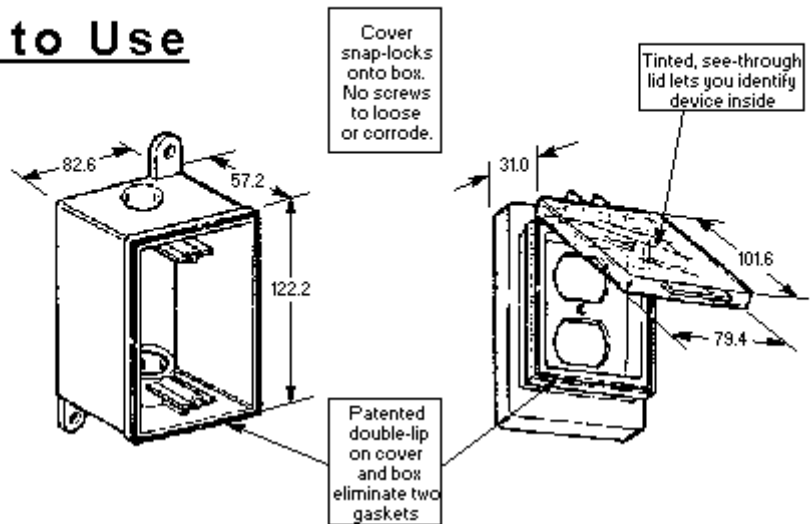
□ The cover is removable with adjustable pliers, as shown, and easily reinstalled.

□ Nonmetallic boxes and covers are UL listed and meet NEMA 1, 2, 3 & 11 requirements.

□ Patented double-lip on cover and box eliminate two gaskets. (Patent # 4,973,797)

□ Patented nonmetallic covers and boxes. (Patent # 4,896,784)

### They're a Snap to Use



Catalog Number	No. and Size Hubs	VPE Packed	Weight g/each	Description
9350	1 x 1/2" FS	10	185	Single-Gang Snap-On Boxes, Nonmetallic, Gray
9351	1 x 3/4" FS	10	185	
9354	2 x 1/2" FSC	10	185	<b>Note: Snap-On Boxes and Snap-On Covers must be used together!</b>
9360	Duplex Recept.	10	95	Single-Gang Snap-On Cover, Nonmetallic, Gray with See-Through Lid
9358	Blank Cover	10	55	

**Note: Snap-On Covers and Snap-On Boxes must be used together!**