



COMPACT™ Aluminum Type 4X Enclosures



Application

Designed as an instrument housing or junction boxes for electrical, electronic or pneumatic components in indoor and outdoor applications. Aluminum is particularly durable and well-suited for use in areas where corrosion problems exist.

Construction

- Cast aluminum; no welded seams or sharp corners
- Captivated cover screws are stainless steel
- Cover screws placed outside sealed area
- Two to four grounding screws located on enclosure backwall
- Oil-resistant o-ring gasket with tongue and groove construction
- Threaded internal bosses provided for mounting optional panels, rails and other components

Finish

- RAL 7042 gray paint (similar to ANSI 61) inside and out.
- Optional panel is unpainted zinc-plated steel.

Industry Standards

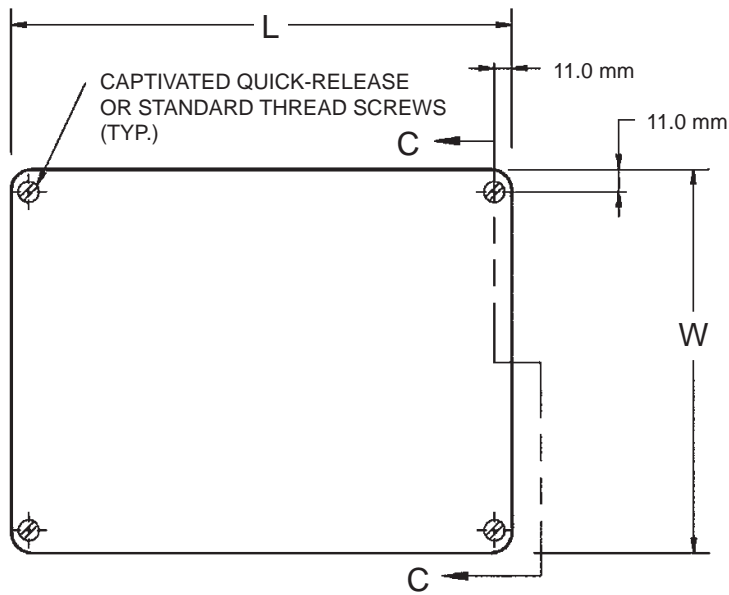
- UL 508 Type 4, Type 4X, Type 12, and Type 13
- NEMA/EEMAC Type 4, Type 4X, Type 12, and Type 13
- CSA Type 4, Type 4X, Type 12, and Type 13
- IEC 529, IP65

Standard Sizes COMPACT™ Aluminum Type 4X Enclosures

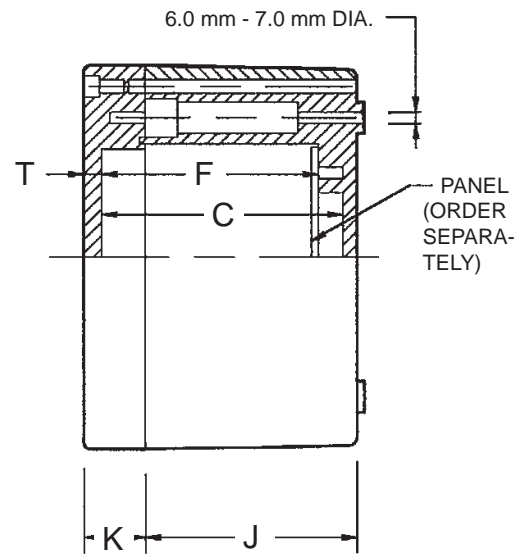
Enclosure Catalog Number	External Dims. L x W (mm)	Internal Dims. A x B x C (mm)	Panel * Catalog No.	Panel Size D x E (mm)	Mounting G x H (mm)	F (mm)	J (mm)	K (mm)	M (mm)	N (mm)	T (mm)
C-CA886 †	74.9 x 80.0	67.1 x 71.9 x 47.0	C-CAP88	64.0 x 69.1	52.1 x 63.0	41.4	40.9	13.0	30.0	48.0	3.6
C-CA1286 †	125.0 x 80.0	116.1 x 71.1 x 51.1	C-CAP128	114.0 x 69.1	52.1 x 113.0	45.0	41.9	15.0	30.0	48.0	3.6
C-CA1886 †	175.0 x 80.0	166.9 x 71.9 x 47.0	C-CAP188	164.1 x 69.1	52.1 x 163.1	41.4	40.9	13.0	30.0	48.0	3.6
C-CA12128 †	121.9 x 121.9	111.5 x 111.5 x 71.9	C-CAP1212	109.0 x 108.2	82.0 x 105.9	63.0	59.9	20.1	52.1	—	4.1
C-CA22128 †	220.0 x 121.9	209.5 x 111.5 x 71.9	C-CAP2212	204.2 x 108.2	82.0 x 204.0	63.0	59.9	20.1	52.1	—	4.1
C-CA16169 †	160.0 x 160.0	149.1 x 149.1 x 82.0	C-CAP1616	146.0 x 146.0	110.0 x 140.0	72.9	70.1	20.1	75.9	—	4.1
C-CA26169 †	259.8 x 160.0	248.9 x 149.1 x 82.0	C-CAP2616	246.1 x 146.0	110.0 x 240.0	72.9	70.1	20.1	75.9	—	4.1
C-CA36169 †	359.9 x 160.0	349.0 x 149.1 x 82.0	C-CAP3616	346.2 x 146.0	110.0 x 340.1	72.9	70.1	20.1	75.9	—	4.1
C-CA202311 †	199.9 x 230.1	188.5 x 218.4 x 102.6	C-CAP2023	185.2 x 215.1	180.1 x 180.1	93.0	89.9	20.1	80.0	144.0	4.1
C-CA332311 †	329.9 x 230.1	318.5 x 218.4 x 102.1	C-CAP3323	315.2 x 215.1	180.1 x 309.9	93.0	89.9	20.1	80.0	144.0	4.1
C-CA332318	329.9 x 230.1	319.0 x 218.9 x 172.0	C-CAP3323	315.2 x 215.1	180.1 x 309.9	162.1	160.0	20.1	100.1	144.0	4.1

* Panels must be ordered separately.

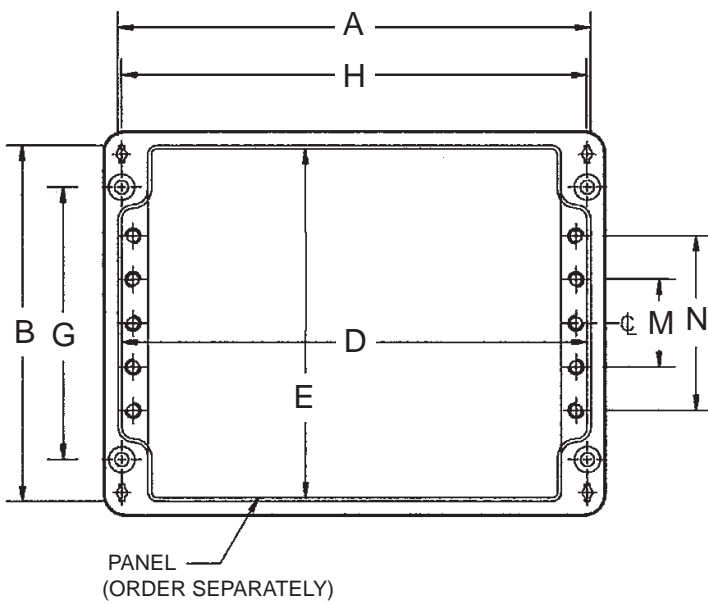
† Available with quarterturn cover screws. Consult our sales office for more information.



Top View



SECTION C-C



Top View with Cover Removed

Accessories COMPACT™ Aluminum Type 4X Enclosures



Hinge Kit

is made of die cast aluminum. Angle rotation approximately 170 degree. Mounting template and stainless steel hardware included. Two hinges per kit.

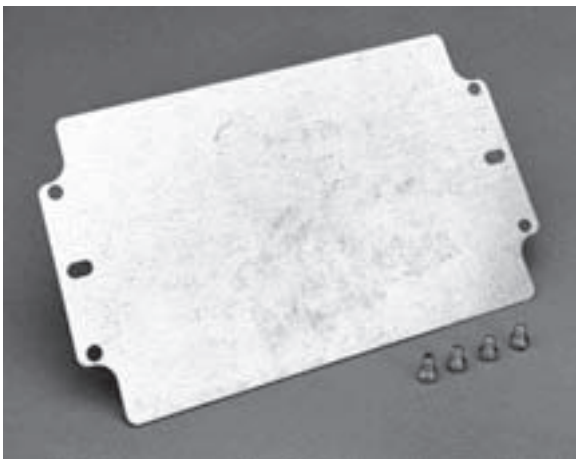
Catalog Number
C-CAHK



Mounting Foot Kits

Mounting brackets are made of non-corrosive 12 gauge steel alloy. Two or four brackets per kit. Stainless steel mounting screws and installation instructions are included.

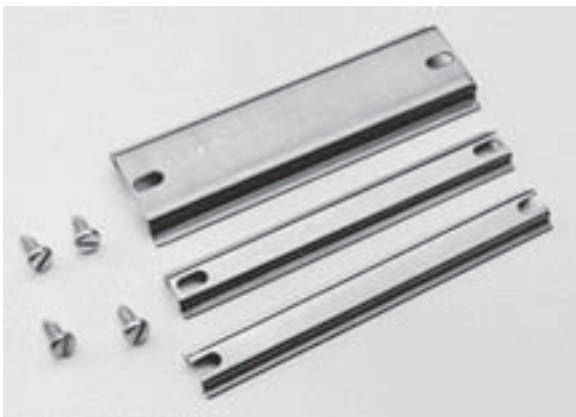
Catalog Number	Description
C-CAMF12	Two brackets
C-CAMF16	Two brackets
C-CAMF23	Four brackets
C-CAMF31	Four brackets



Panels

Made of clear zinc plated steel. Permits electromechanical components to be mounted inside the enclosure.

Catalog Number	Panel Size D x E (mm)
C-CAP88	64 x 69
C-CAP128	114 x 69
C-CAP188	164 x 69
C-CAP1212	109 x 108
C-CAP2212	204 x 108
C-CAP1616	146 x 146
C-CAP2616	246 x 146
C-CAP3616	346 x 146
C-CAP2023	185 x 215
C-CAP3323	315 x 215
C-CAP4031	387 x 294
C-CAP6031	585 x 294



DIN Type Rails

Receive terminal blocks, relays, switches, filters, timers, and various other electrical and electronic components. Lengths fit size of enclosure.

Depending on the type of clamp, TS-15-(SI) or TS-35-(S2) rail is used. All DIN rails have yellow chromate plating. Made of zinc plated steel.

Catalog Number
C-CCADR8S1
C-CADR12S1
C-CADR18S1
C-CADR12S2
C-CADR22S2
C-CADR16S2
C-CADR26S2
C-CADR36S2
C-CADR20S2
C-CADR33S2
C-CADR40S2
CADR60S2

Accessory Selection Matrix Aluminum Type 4X Enclosures

Catalog No.	C-CA886	C-CA1286	C-CA1886	C-CA12128	C-CA22128	C-CA16169	C-CA26169	C-CA36169	C-CA202311	C-CA332311	C-CC403113	C-CC603115	C-CA332318
Hinge Kit													
C-CAHK				•	•	•	•	•	•	•	•	•	•
Mounting Foot Kit													
C-CAMF12				•	•								
C-CAMF16						•		•					
C-CAMF23							•						
C-CAMF31									•	•	•		•
Panels													
C-CAP88	•												
C-CAP128		•											
C-CAP188			•										
C-CAP1212				•									
C-CAP2212					•								
C-CAP1616						•							
C-CAP2616							•						
C-CAP3616								•					
C-CAP2023									•				
C-CAP3323										•			•
C-CAP4031											•		
C-CAP6031												•	
DIN Type Rails													
C-CCADR8S1	•												
C-CADR12S1		•											
C-CADR18S1			•										
C-CADR12S2				•									
C-CADR22S2					•								
C-CADR16S2						•							
C-CADR26S2							•						
C-CADR36S2								•					
C-CADR20S2									•				
C-CADR33S2										•			•
C-CADR40S2											•		
C-CADR60S2												•	