

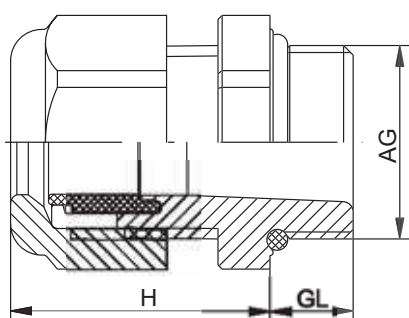
## Cable Glands HSK-K-Ex Industry Standard – Metric



Material PA (Nylon) V0 according to UL 94  
 Seal Buna-N  
 O-Ring Buna-N  
 Protection IP 68 – 10 bar / IP 69K  
 (NEMA 6 – 150 PSIG)  
 within the specified clamping range



Operating Temperature -20 °C – 95 °C (-4 °F – 203 °F)  
 Colors  
 grey RAL 7035  
 black RAL 9005  
 blue RAL 5012



**ATEX**



**II 2G 1D**



AG	Cord ø mm	EX-Generation	GL mm	H mm	SW (A/F) mm	Cat.No. grey	Cat.No. black	Cat.No. blue
M 12 x 1,5	3 - 6,5	ATEX	8	21	15	1.291.1200.50	1.291.1201.50	1.291.1202.50
M 12 x 1,5	2 - 5	ATEX	8	21	15	1.291.1200.51	1.291.1201.51	1.291.1202.51
M 16 x 1,5	4 - 8	ATEX	8	22	19	1.291.1600.50	1.291.1601.50	1.291.1602.50
M 16 x 1,5	3 - 6	ATEX	8	22	19	1.291.1600.51	1.291.1601.51	1.291.1602.51
M 16 x 1,5	5 - 10	ATEX	8	25	22	1.295.1600.50	1.295.1601.50	1.295.1602.50
M 16 x 1,5	3 - 7	ATEX	8	25	22	1.295.1600.51	1.295.1601.51	1.295.1602.51
M 20 x 1,5	6,5 - 12	ATEX	9	27	24	1.291.2000.50	1.291.2001.50	1.291.2002.50
M 20 x 1,5	5 - 9	ATEX	9	27	24	1.291.2000.51	1.291.2001.51	1.291.2002.51
M 20 x 1,5	10 - 14	ATEX	9	28	27	1.295.2000.50	1.295.2001.50	1.295.2002.50
M 20 x 1,5	7 - 12	ATEX	9	28	27	1.295.2000.51	1.295.2001.51	1.295.2002.51
M 25 x 1,5	13 - 18	ATEX	11	31	33	1.291.2500.50	1.291.2501.50	1.291.2502.50
M 25 x 1,5	9 - 16	ATEX	11	31	33	1.291.2500.51	1.291.2501.51	1.291.2502.51
M 32 x 1,5	18 - 25	ATEX	11	39	42	1.291.3200.50	1.291.3201.50	1.291.3202.50
M 32 x 1,5	13 - 20	ATEX	11	39	42	1.291.3200.51	1.291.3201.51	1.291.3202.51
M 40 x 1,5	22 - 32	ATEX	13	48	53	1.291.4000.50	1.291.4001.50	1.291.4002.50
M 40 x 1,5	20 - 26	ATEX	13	48	53	1.291.4000.51	1.291.4001.51	1.291.4002.51
M 50 x 1,5	32 - 38	ATEX	13	49	60	1.291.5000.50	1.291.5001.50	1.291.5002.50
M 50 x 1,5	25 - 31	ATEX	13	49	60	1.291.5000.51	1.291.5001.51	1.291.5002.51
M 63 x 1,5	37 - 44	ATEX	14	49	65 / 68	1.291.6300.50	1.291.6301.50	1.291.6302.50
M 63 x 1,5	29 - 35	ATEX	14	49	65 / 68	1.291.6300.51	1.291.6301.51	1.291.6302.51

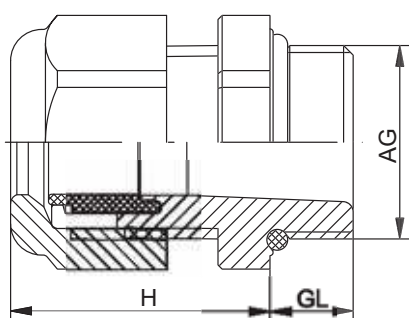
## Cable Glands HSK-K-Ex Industry Standard – Metric, elongated



Material PA (Nylon) VO according to UL 94  
 Seal Buna-N  
 O-Ring Buna-N  
 Protection IP 68 – 10 bar / IP 69K  
 (NEMA 6 – 150 PSIG)  
 within the specified clamping range



Operating Temperature -20 °C – 95 °C (-4 °F – 203 °F)  
 Colors  
 grey RAL 7035  
 black RAL 9005  
 blue RAL 5012



**ATEX**



**II 2G 1D**



AG	Cord ø mm	EX-Generation	GL mm	H mm	SW (A/F) mm	Cat.No. grey	Cat.No. black	Cat.No. blue
M 12 x 1,5	3 - 6,5	ATEX	15	21	15	1.291.1200.30	1.291.1201.30	1.291.1202.30
M 12 x 1,5	2 - 5	ATEX	15	21	15	1.291.1200.31	1.291.1201.31	1.291.1202.31
M 16 x 1,5	4 - 8	ATEX	15	22	19	1.291.1600.30	1.291.1601.30	1.291.1602.30
M 16 x 1,5	3 - 6	ATEX	15	22	19	1.291.1600.31	1.291.1601.31	1.291.1602.31
M 16 x 1,5	5 - 10	ATEX	15	25	22	1.295.1600.30	1.295.1601.30	1.295.1602.30
M 16 x 1,5	3 - 7	ATEX	15	25	22	1.295.1600.31	1.295.1601.31	1.295.1602.31
M 20 x 1,5	6,5 - 12	ATEX	15	27	24	1.291.2000.30	1.291.2001.30	1.291.2002.30
M 20 x 1,5	5 - 9	ATEX	15	27	24	1.291.2000.31	1.291.2001.31	1.291.2002.31
M 20 x 1,5	10 - 14	ATEX	15	28	27	1.295.2000.30	1.295.2001.30	1.295.2002.30
M 20 x 1,5	7 - 12	ATEX	15	28	27	1.295.2000.31	1.295.2001.31	1.295.2002.31
M 25 x 1,5	13 - 18	ATEX	15	31	33	1.291.2500.30	1.291.2501.30	1.291.2502.30
M 25 x 1,5	9 - 16	ATEX	15	31	33	1.291.2500.31	1.291.2501.31	1.291.2502.31
M 32 x 1,5	18 - 25	ATEX	15	39	42	1.291.3200.30	1.291.3201.30	1.291.3202.30
M 32 x 1,5	13 - 20	ATEX	15	39	42	1.291.3200.31	1.291.3201.31	1.291.3202.31
M 40 x 1,5	22 - 32	ATEX	18	48	53	1.291.4000.30	1.291.4001.30	1.291.4002.30
M 40 x 1,5	20 - 26	ATEX	18	48	53	1.291.4000.31	1.291.4001.31	1.291.4002.31
M 50 x 1,5	32 - 38	ATEX	18	49	60	1.291.5000.30	1.291.5001.30	1.291.5002.30
M 50 x 1,5	25 - 31	ATEX	18	49	60	1.291.5000.31	1.291.5001.31	1.291.5002.31
M 63 x 1,5	37 - 44	ATEX	18	49	65 / 68	1.291.6300.30	1.291.6301.30	1.291.6302.30
M 63 x 1,5	29 - 35	ATEX	18	49	65 / 68	1.291.6300.31	1.291.6301.31	1.291.6302.31

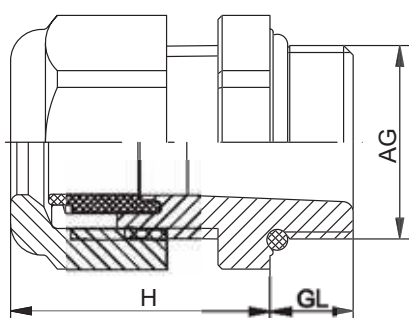
## Cable Glands HSK-K-Ex Industry Standard – PG



Material PA (Nylon) V0 according to UL 94  
 Seal Buna-N  
 O-Ring Buna-N  
 Protection IP 68 – 10 bar / IP 69K  
 (NEMA 6 – 150 PSIG)  
 within the specified clamping range



Operating Temperature -20 °C – 95 °C (-4 °F – 203 °F)  
 Colors  
 grey RAL 7035  
 black RAL 9005  
 blue RAL 5012


**ATEX**

**II 2G 1D**

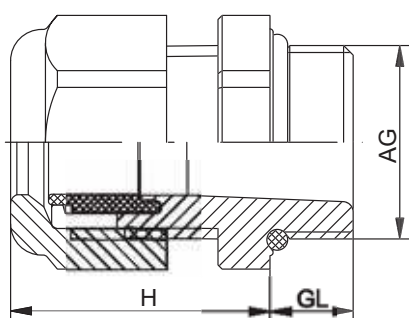
AG	Cord ø mm	EX- Generation	GL mm	H mm	SW (A/F) mm	Cat.No. grey	Cat.No. black	Cat.No. blue
PG 7	3 - 6,5	ATEX	8	21	15	1.291.0700.14	1.291.0701.14	1.291.0702.14
PG 7	2 - 5	ATEX	8	21	15	1.291.0700.15	1.291.0701.15	1.291.0702.15
PG 9	4 - 8	ATEX	8	22	19	1.291.0900.14	1.291.0901.14	1.291.0902.14
PG 9	3 - 6	ATEX	8	22	19	1.291.0900.15	1.291.0901.15	1.291.0902.15
PG 11	5 - 10	ATEX	8	25	22	1.291.1100.14	1.291.1101.14	1.291.1102.14
PG 11	3 - 7	ATEX	8	25	22	1.291.1100.15	1.291.1101.15	1.291.1102.15
PG 13,5	6,5 - 12	ATEX	9	27	24	1.291.1300.14	1.291.1301.14	1.291.1302.14
PG 13,5	5 - 9	ATEX	9	27	24	1.291.1300.15	1.291.1301.15	1.291.1302.15
PG 16	10 - 14	ATEX	10	28	27	1.291.1600.14	1.291.1601.14	1.291.1602.14
PG 16	7 - 12	ATEX	10	28	27	1.291.1600.15	1.291.1601.15	1.291.1602.15
PG 21	13 - 18	ATEX	11	31	33	1.291.2100.14	1.291.2101.14	1.291.2102.14
PG 21	9 - 16	ATEX	11	31	33	1.291.2100.15	1.291.2101.15	1.291.2102.15
PG 29	18 - 25	ATEX	11	39	42	1.291.2900.14	1.291.2901.14	1.291.2902.14
PG 29	13 - 20	ATEX	11	39	42	1.291.2900.15	1.291.2901.15	1.291.2902.15
PG 36	22 - 32	ATEX	13	48	53	1.291.3600.14	1.291.3601.14	1.291.3602.14
PG 36	20 - 26	ATEX	13	48	53	1.291.3600.15	1.291.3601.15	1.291.3602.15
PG 42	32 - 38	ATEX	13	49	60	1.291.4200.14	1.291.4201.14	1.291.4202.14
PG 42	25 - 31	ATEX	13	49	60	1.291.4200.15	1.291.4201.15	1.291.4202.15
PG 48	37 - 44	ATEX	14	49	65	1.291.4800.14	1.291.4801.14	1.291.4802.14
PG 48	29 - 35	ATEX	14	49	65	1.291.4800.15	1.291.4801.15	1.291.4802.15

## Cable Glands HSK-K-Ex Industry Standard – PG, elongated



Material PA (Nylon) V0 according to UL 94  
 Seal Buna-N  
 O-Ring Buna-N  
 Protection IP 68 – 10 bar / IP 69K  
 (NEMA 6 – 150 PSIG)  
 within the specified clamping range

Operating Temperature -20 °C – 95 °C (-4 °F – 203 °F)  
 Colors  
 grey RAL 7035  
 black RAL 9005  
 blue RAL 5012



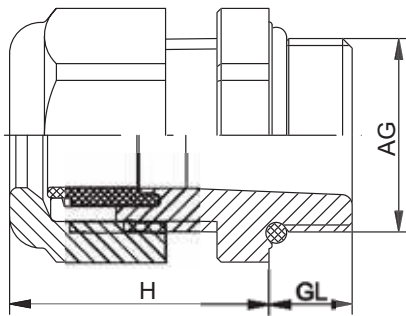
AG	Cord ø mm	EX- Generation	GL mm	H mm	SW (A/F) mm	Cat.No. grey	Cat.No. black	Cat.No. blue
PG 7	3 - 6,5	ATEX	15	21	15	1.291.0700.60	1.291.0701.60	1.291.0702.60
PG 7	2 - 5	ATEX	15	21	15	1.291.0700.61	1.291.0701.61	1.291.0702.61
PG 9	4 - 8	ATEX	15	22	19	1.291.0900.60	1.291.0901.60	1.291.0902.60
PG 9	3 - 6	ATEX	15	22	19	1.291.0900.61	1.291.0901.61	1.291.0902.61
PG 11	5 - 10	ATEX	15	25	22	1.291.1100.60	1.291.1101.60	1.291.1102.60
PG 11	3 - 7	ATEX	15	25	22	1.291.1100.61	1.291.1101.61	1.291.1102.61
PG 13,5	6,5 - 12	ATEX	15	27	24	1.291.1300.60	1.291.1301.60	1.291.1302.60
PG 13,5	5 - 9	ATEX	15	27	24	1.291.1300.61	1.291.1301.61	1.291.1302.61
PG 16	10 - 14	ATEX	15	28	27	1.291.1600.60	1.291.1601.60	1.291.1602.60
PG 16	7 - 12	ATEX	15	28	27	1.291.1600.61	1.291.1601.61	1.291.1602.61
PG 21	13 - 18	ATEX	15	31	33	1.291.2100.60	1.291.2101.60	1.291.2102.60
PG 21	9 - 16	ATEX	15	31	33	1.291.2100.61	1.291.2101.61	1.291.2102.61
PG 29	18 - 25	ATEX	15	39	42	1.291.2900.60	1.291.2901.60	1.291.2902.60
PG 29	13 - 20	ATEX	15	39	42	1.291.2900.61	1.291.2901.61	1.291.2902.61
PG 36	22 - 32	ATEX	18	48	53	1.291.3600.60	1.291.3601.60	1.291.3602.60
PG 36	20 - 26	ATEX	18	48	53	1.291.3600.61	1.291.3601.61	1.291.3602.61
PG 42	32 - 38	ATEX	18	49	60	1.291.4200.60	1.291.4201.60	1.291.4202.60
PG 42	25 - 31	ATEX	18	49	60	1.291.4200.61	1.291.4201.61	1.291.4202.61
PG 48	37 - 44	ATEX	18	49	65	1.291.4800.60	1.291.4801.60	1.291.4802.60
PG 48	29 - 35	ATEX	18	49	65	1.291.4800.61	1.291.4801.61	1.291.4802.61

## Cable Glands HSK-K-Ex Industry Standard – NPT



Material PA (Nylon) V0 according to UL 94  
 Seal Buna-N  
 O-Ring Buna-N  
 Protection IP 68 – 10 bar / IP 69K (NEMA 6 – 150 PSIG) within the specified clamping range

Operating Temperature -20 °C – 95 °C (-4 °F – 203 °F)  
 Colors  
 grey RAL 7035  
 black RAL 9005  
 blue RAL 5012



AG	Cord ø mm	EX-Generation	GL mm	H mm	SW (A/F) mm	Cat.No. grey	Cat.No. black	Cat.No. blue
3/8" NPT	4 - 8	ATEX	15	22	22 / 19	1.291.3800.70	1.291.3801.70	1.291.3802.70
3/8" NPT	2 - 6	ATEX	15	22	22 / 19	1.291.3800.71	1.291.3801.71	1.291.3802.71
1/2" NPT	6,5 - 12	ATEX	13	27	24	1.291.1200.70	1.291.1201.70	1.291.1202.70
1/2" NPT	5 - 9	ATEX	13	27	24	1.291.1200.71	1.291.1201.71	1.291.1202.71
1/2" NPT/16	10 - 14	ATEX	13	28	27	1.291.1216.70	1.291.1217.70	1.291.1218.70
1/2" NPT/16	7 - 12	ATEX	13	28	27	1.291.1216.71	1.291.1217.71	1.291.1218.71
3/4" NPT	13 - 18	ATEX	14	31	33	1.291.3400.70	1.291.3401.70	1.291.3402.70
3/4" NPT	9 - 16	ATEX	14	31	33	1.291.3400.71	1.291.3401.71	1.291.3402.71
1" NPT	18 - 25	ATEX	19	39	42	1.291.1000.70	1.291.1001.70	1.291.1002.70
1" NPT	13 - 20	ATEX	19	39	42	1.291.1000.71	1.291.1001.71	1.291.1002.71
1 1/4" NPT	18 - 25	ATEX	16	39	46 / 42	1.291.5400.70	1.291.5401.70	1.291.5402.70
1 1/4" NPT	13 - 20	ATEX	16	39	46 / 42	1.291.5400.71	1.291.5401.71	1.291.5402.71
1 1/2" NPT	22 - 32	ATEX	20	48	53	1.291.6400.70	1.291.6401.70	1.291.6402.70
1 1/2" NPT	20 - 26	ATEX	20	48	53	1.291.6400.71	1.291.6401.71	1.291.6402.71

## Technical Information

### Other International Ex-Certifications

	Hungary	<b>BKI 03 ATEX 001 X</b> <b>BKI 03 ATEX 002 X</b>	
	Russia	<b>ROSS DE.GB05.B00</b>	
	China	<b>CQST CNEx01.207</b> <b>CQST CNEx01.211</b>	
	Brazil	<b>INMETRO MC AEX-4665-X</b> <b>INMETRO MC AEX-5233-X</b> <b>INMETRO MC AEX-5234-X</b> <b>INMETRO MC AEX-5235</b>	<b>INMETRO MC AEX-6203-X</b> <b>INMETRO MC AEX-6410-X</b> <b>INMETRO MC AEX-6411-X</b> <b>INMETRO MC AEX-6412-X</b>

### Installation Instructions

**Multi hole inserts:** Cable diameter should not be less than 20% of hole diameter and the difference between cable diameter and hole should never exceed 1 mm (.04").

**Flat cable inserts:** Actual dimensions of cables and wires must be verified with the respective cable supplier.

### Product Material Abbreviations

CR	Chloroprene rubber	PP	Polypropylene
FPM	Fluorelastomer	PVC	Polyvinylchloride
Ms	Nickel plated brass	PVDF	Polyvinylidenfluoride
NBR	Buna-N	SB	Styrene Butadiene
PA	Nylon	VMQ	Silicone
PE	Polyethylene		

## Approvals for HSK Strain Relief Fittings / VDE Licence Number G0010850

Article	Number	Temperature Range	Approval G (Gas)	Approval D (Dust)	EC-Type Examination Certificate
RSD-Ms-Ex	1.078.*	-20 °C – 95 °C	x	x	DMT 03 ATEX E 049
RSD-Ms-Ex	1.079.*	-60 °C – 180 °C	x	x	DMT 03 ATEX E 049
RSD-INOX-Ex	1.098.*	-20 °C – 180 °C	x	x	DMT 03 ATEX E 049
RSD-INOX-Ex	1.099.*	-60 °C – 180 °C	x	x	DMT 03 ATEX E 049
V-INOX-Ex	1.192.*	-20 °C – 95 °C	x	x	DMT 03 ATEX E 049
V-INOX-FPM-Ex	1.193.*	-20 °C – 180 °C	x	x	DMT 03 ATEX E 049
V-INOX-VMQ-Ex	1.194.*	-60 °C – 180 °C	x	x	DMT 03 ATEX E 049
V-Ms-Ex	1.197.*	-20 °C – 95 °C	x	x	DMT 03 ATEX E 049
V-Ms-FPM-Ex	1.198.*	-20 °C – 180 °C	x	x	DMT 03 ATEX E 049
V-Ms-VMQ-Ex	1.199.*	-60 °C – 180 °C	x	x	DMT 03 ATEX E 049
HSK-K-MZ-Ex	1.215.*	-20 °C – 70 °C	x	x	KEMA 99 ATEX 6971 X
HSK-K-Ex	1.291.*	-20 °C – 95 °C	x	x	DMT 02 ATEX E 047 X
HSK-K-Ex	1.295.*	-20 °C – 95 °C	x	x	DMT 02 ATEX E 047 X
HSK-V-Ex	1.296.*	-20 °C – 95 °C	x	x	BVS 03 ATEX E 298
V-Ex	1.297.*	-20 °C – 90 °C	x	x	DMT 03 ATEX E 049
HSK-K-Multi-Ex	1.599.*	-20 °C – 95 °C	x	x	DMT 02 ATEX E 047 X
HSK-M/EMV-Ex	1.610.* / 1.616.*	-20 °C – 95 °C	x	x	DMT 03 ATEX E 051 X
HSK-MZ/EMV-Ex	1.611.* / 1.617.*	-20 °C – 95 °C	x	x	DMT 03 ATEX E 051 X
HSK-INOX-Ex	1.612.*	-20 °C – 95 °C	x	x	DMT 03 ATEX E 051 X
HSK-M-Ex-D	1.622.*	-60 °C – 105 °C	x	x	KEMA 99 ATEX 6968 X
HSK-MZ-Ex-D	1.628.*	-60 °C – 105 °C	x	x	KEMA 99 ATEX 6968 X
HSK-INOX-Ex-D	1.632.*	-60 °C – 105 °C	x	x	KEMA 99 ATEX 6968 X
HSK-INOX-Ex-D	1.633.*	-20 °C – 130 °C	x	x	KEMA 99 ATEX 6968 X
HSK-M-PVDF-Ex-d	1.634.*	-20 °C – 130 °C	x	x	KEMA 99 ATEX 6968 X
HSK-M-EMV-D-Ex	1.636.*	-20 °C – 95 °C	x	x	DMT 03 ATEX E 051 X
HSK-M-EMV-D-Ex	1.637.*	-60 °C – 105 °C	x	x	KEMA 99 ATEX 6971 X
HSK-M/EMV-Ex	1.640.* / 1.646.*	-60 °C – 105 °C	x	x	KEMA 99 ATEX 6971 X
HSK-MZ/EMV-Ex	1.641.* / 1.647.*	-60 °C – 105 °C	x	x	KEMA 99 ATEX 6971 X
HSK-INOX-Ex	1.642.*	-60 °C – 105 °C	x	x	KEMA 99 ATEX 6971 X
HSK-M-PVDF-Ex	1.660.*	-20 °C – 130 °C	x	x	KEMA 99 ATEX 6971 X
HSK-MZ-PVDF-Ex	1.661.*	-20 °C – 130 °C	x	x	KEMA 99 ATEX 6971 X
HSK-INOX-PVDF-Ex	1.662.*	-20 °C – 130 °C	x	x	KEMA 99 ATEX 6971 X
HSK-M-EMV-PVDF-Ex	1.666.*	-20 °C – 130 °C	x	x	KEMA 99 ATEX 6971 X
HSK-MZ-EMV-PVDF-Ex	1.667.*	-20 °C – 130 °C	x	x	KEMA 99 ATEX 6971 X
HSK-M-Multi-Ex	1.687.*	-20 °C – 95 °C	x	x	DMT 03 ATEX E 051 X
V-Ms-/INOX-Ex-d	1.875.* / 1.895.*	-20 °C – 95 °C	x	x	KEMA 06 ATEX 0024
V-Ms-/INOX-FPM-Ex-d	1.876.* / 1.896.*	-20 °C – 180 °C	x	x	KEMA 06 ATEX 0024
V-Ms-/INOX-VMQ-Ex-d	1.877.* / 1.897.*	-60 °C – 180 °C	x	x	KEMA 06 ATEX 0024
RSD-Ms-/INOX-Ex-d	1.878.* / 1.898.*	-20 °C – 95 °C	x	x	KEMA 06 ATEX 0024
RSD-Ms-/INOX-Ex-d	1.879.* / 1.899.*	-60 °C – 180 °C	x	x	KEMA 06 ATEX 0024