

United Kingdom

HRC Fuse Links, BS88-2:1988, IEC 269-2

RED SPOT 400 Series



ASTA (20) Certified

Technical Data

Current Rating	(A) 2-400
Voltage Rating ac	(V) up to 440
Breaking Capacity ac	(kA) 80*
Max Operating Ambient Temperature	(°C) 40

* also tested at 200kA



Breaking Capacity

AC Performance

ASTA 20 certified to 80kA, generally at 440 Volts, to BS 88: Part 2: 1988 (IEC 269-2).

Application Notes

Protection of PVC insulated cables

RED SPOT 400 Series Fuse Links will protect an associated cable against both overload and short circuit if its current rating is equal to or less than the current rating of the cable. This is in accordance with the IEE Wiring Regulations (BS 7671:1992).

Short circuit energy limitation

RED SPOT 400 Series Fuse Links limit the peak current and energy let through to circuits that experience short circuit faults. This enables significant economies to be made in the design of equipment used in combination with RED SPOT Fuse Links.

Discrimination

RED SPOT 400 Series Fuse Links will discriminate with each other at fault levels up to 80kA, at 415 Vac, in most cases when the ratio between 'major' and 'minor' current ratings is 1.6:1.

Motor Starting Ability

All RED SPOT 400 Series Fuse Links are suitable for the protection of motor circuits and have superior withstand to motor starting surges.

Motor Circuit Protection

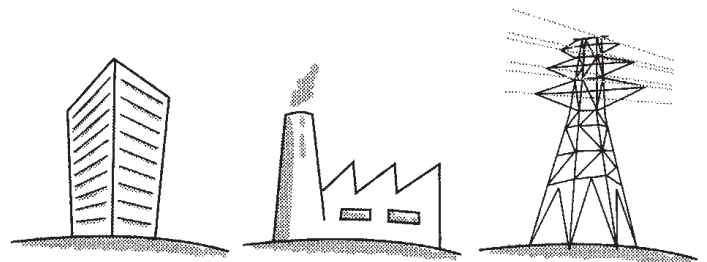
RED SPOT 400 Series Fuse Links provide back up protection, including Type 2 co-ordination with the motor starter and associated cables.

Protection against electric shock

RED SPOT 400 Series Fuse Links protect against electric shock when used in accordance with the IEE Wiring Regulations (BS 7671:1992).

Power dissipation

All RED SPOT 400 Series Fuse Links have low power loss values, well within the limits specified in BS 88:Part2: (IEC 269-2).





RED SPOT 400 Series - Offset tags: 2-hole fixing



	Current rating	Part number	Code	Max voltage rating ac
BS Ref. A1	2A	GNIT2	401286	440
	4A	GNIT4	401288	440
Fixing Centres 44.5mm	6A	GNIT6	401289	440
	10A	GNIT10	401284	440
	16A	GNIT16	401285	440
	20A	GNIT20	401287	440



	Current rating	Part number	Code	Max voltage rating ac
BS Ref. A2	2A	GTIA2	400380	440
	4A	GTIA4	400384	440
Fixing Centres 73mm	6A	GTIA6	400385	440
	10A	GTIA10	400378	440
	16A	GTIA16	400379	440
	20A	GTIA20	400381	440
	25A	GTIA25	400382	440
	32A	GTIA32	400383	440



	Current rating	Part number	Code	Max voltage rating ac
BS Ref. A3	35A	GTIS35	400386	440
	40A	GTIS40	400387	440
Fixing Centres 73mm	50A	GTIS50	400388	440
	63A	GTIS63	400389	440



	Current rating	Part number	Code	Max voltage rating ac
BS Ref. A4	35A	GTCP35	400370	440
	40A	GTCP40	400371	440
Fixing Centres 94mm	50A	GTCP50	400372	440
	63A	GTCP63	400373	440
	80A	GTCP80	400374	440
	100A	GTCP100	400369	440



	Current rating	Part number	Code	Max voltage rating ac
Fixing Centres 94mm	125A	GTFP125	402760	440
	160A	GTFP160	402761	440
	200A	GTFP200	402762	440



RED SPOT 400 Series - Central tags: 2-hole fixing



	Current rating	Part number	Code	Max voltage rating ac
BS Ref. B2	125A	GTF125	400375	440
	160A	GTF160	400376	440
Fixing Centres 111mm	200A	GTF200	400377	440



BS Ref. B3	250A	GTKF250	400390	415
	315A	GTKF315	400391	415
Fixing Centres 111mm				



Fixing Centres 133mm	250A	GTKM250	402763	415
	315A	GTKM315	402764	415



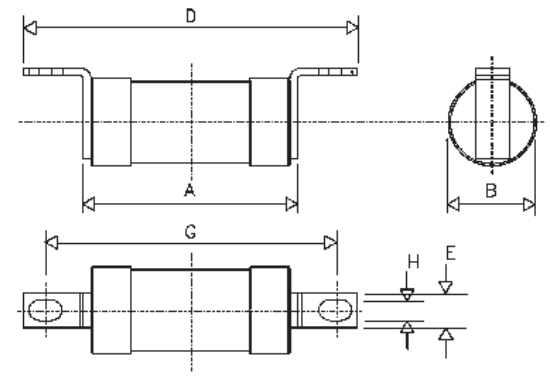
BS Ref. B4	355A	GTMF355	400394	415
	400A	GTMF400	400395	415
Fixing Centres 111mm				

RED SPOT 400 Series - Central tags: 4-hole fixing



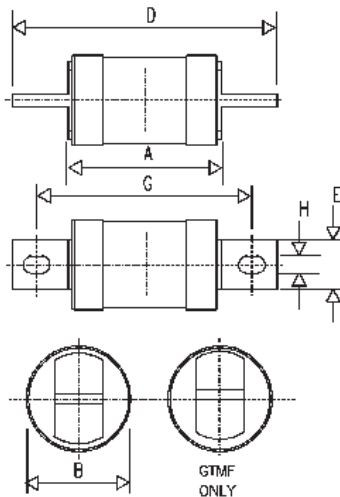
	Current rating	Part number	Code	Max voltage rating ac
BS Ref. C1	355A	GTM355	400392	415
	400A	GTM400	400393	415
Fixing Centres 133mm				

RED SPOT 400 Series - Offset tags: 2-hole fixing



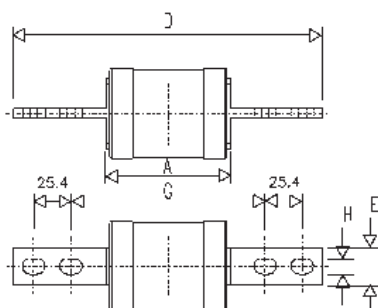
Type	Rating	A	B	D	E	G	H
						Fixing Centres	
GNIT	2 - 20	34.10	14.10	55.60	11.10	44.50	4.70
GTIA	2 - 32	35.00	14.10	83.30	8.60	73.00	5.20
GTIS	35 - 63	54.00	22.20	83.90	8.60	73.00	5.20
GTCP	35 - 100	56.40	22.20	109.00	19.10	94.00	8.60
GTFP	125 - 200	45.40	34.00	111.50	19.10	94.00	8.70

RED SPOT 400 Series - Central tags: 2-hole fixing



Type	Rating	A	B	D	E	G	H
						Fixing Centres	
GTF	125 - 200	47.00	34.00	134.50	19.10	111.00	8.70
GTKF	250, 315	47.00	34.00	134.50	19.10	111.00	8.70
GTKM	250, 315	47.00	34.00	166.00	19.10	133.00	11.00
GTMF	355, 400	50.20	40.40	134.50	25.40	111.00	8.70

RED SPOT 400 Series - Central tags: 4-hole fixing



Type	Rating	A	B	D	E	G	H
						Fixing Centres	
GTM	355, 400	50.20	40.40	211.00	25.40	133.00	11.00

RED SPOT 400 Series: I^2t values

2 Amp - 100 Amp

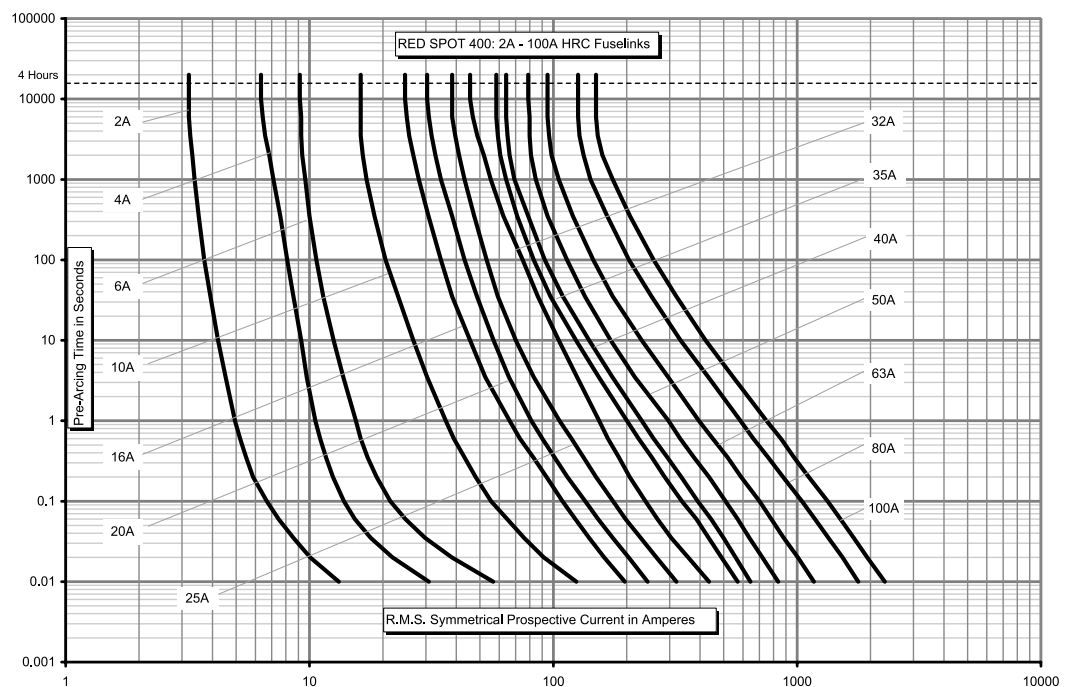
Current Rating (Amp)	Pre-Arcing I^2t (A ² sec)	Total I^2t (A ² sec) at 415 Volt	Total I^2t (A ² sec) at 440 Volt
2	2	10	11
4	10	20	23
6	21	60	65
10	130	350	380
16	200	690	760
20	360	1270	1400
25	670	2650	2900
32	700	3600	4000
35	1800	5500	6000
40	1900	6400	7000
50	4400	10000	11000
63	7700	18000	20000
80	17000	39000	43000
100	30000	62000	68000

125 Amp - 400 Amp

Current Rating (Amp)	Pre-Arcing I^2t (A ² sec x 10 ³)	Total I^2t (A ² sec x 10 ³) at 415 Volt	Total I^2t (A ² sec x 10 ³) at 440 Volt
125	30	75	83
160	60	155	165
200	120	315	335
250	180	420	460
315	270	660	710
355	330	750	810
400	520	1200	1300

RED SPOT 400 Series: Time/current characteristics

2 Amp - 100 Amp



125 Amp - 400 Amp

