

## United Kingdom - Surface Mount Receptacle, BS1363-2, IP66

**Single Surface Mounting Receptacle,  
13 Amp, 250 Volt AC, BS 1363-2,  
While-In-Use Cover, IP 66**

### SPECIFICATIONS

- **Ratings:** 13A, 250V, 50Hz
- **Pole/Wire:** 2P 3W Grounding (2P + E)
- **British Standard:** BS 1363-2
- **Terminals:** Screw Terminals
- **Base/Cover:** Grey RAL 7035, Cover Tinted Polycarbonate
- **Ingress Protection:** IP 66



Catalog No.	Color	Description	Weight/each	VPE/Pack	EDP No.
<b>1376001</b>	Grey/Clear	Single Unswitched Surface Socket, 13A, 250V AC, 2P + E, IP 66, British Standard BS 1363-2, While-In-Use Cover	272 g net.	96/12	126402
<b>Plug shown above is optional, order separately</b>					
<b>VX1307</b>	White	Angle Plug, BS1363/A, 13A, 250V AC, 2P + E, Fused 13A (BS1362)	48 g net.	200/20	116904

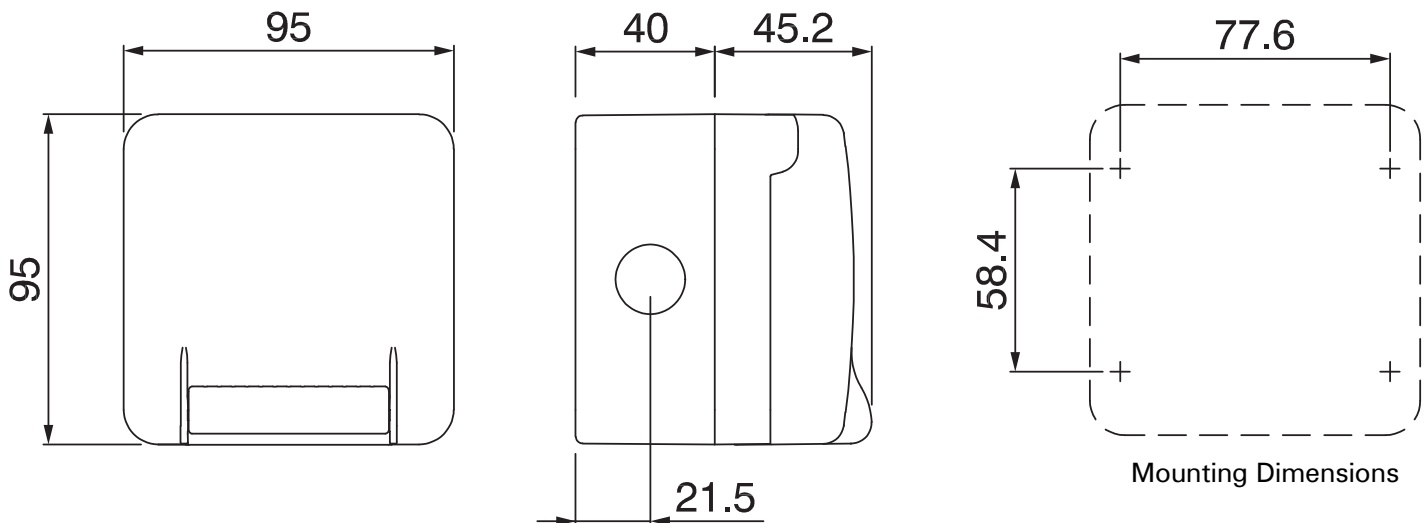
### TECHNICAL CHARACTERISTICS

Rated current: 13A  
 Rated voltage: 250V~  
 Frequency: 50Hz  
 Insulating voltage: 250V~  
 Protection degree: IP66

Operating temperature according to the reference standard: -5°C + 60°C  
 Maximum operating temperature: 60°C  
 Cabling capacity of the terminal: 3x 2.5 mm<sup>2</sup>, 3x 4 mm<sup>2</sup>, 3x 6 mm<sup>2</sup>

Glow Wire test: 850°C  
 Halogen free: Yes  
 Material: Engineering plastic  
 Cable inlets: Top, bottom and sides M20  
 Colour: Base: grey RAL 7035  
 Cover: tinted polycarbonate

### Surface Mounting Unswitched Socket Outlet



*Technical Data are Subject to Change without Notice. Dimensions in mm.*