


8162/9 Series Breather Drain



CLASSIFICATIONS

NEC- Class I, Zones 1 & 2 AEx e II
Class I, Division 2

 LISTED - File No. E200940

 File No. 3000248
Material: Nylon
Ingress Protection
IP 54, NEMA 3R
when installed in enclosures
of the same rating

Application

The breather drain is designed for ventilation and drainage where there is the possibility of moisture or condensation being trapped within an enclosure.


Features:

The breather drain is suitable for installation in 3/4" conduit hubs or drilled and tapped conduit openings of general purpose- or increased safety enclosures. They must be protected from severe impact. The felt insert is replaceable.

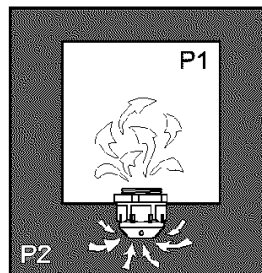
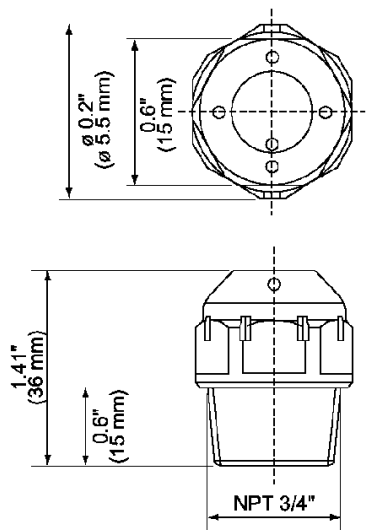
Ordering Information

DESCRIPTION		CATALOG NUMBER
Breather Drain 8162/9	1 piece	81 620 03 01 0
Thread 3/4" NPT	100 pieces	81 620 05 02 0

Parts

DESCRIPTION	DESIGNATION	CATALOG NUMBER
Felt Washer	 Polyamide 20 piece	81 628 01 52 0

Dimensions



Temperature-dependent pressure differences between the interior of an enclosure (P1) and the external atmosphere (P2) are reliably equalized by means of the breather drain. Condensation build-up in the enclosure is thus kept to a minimum.

8162-9