

Kabelverschraubungen

EMV-gerecht

WAZU-EMV/EX

Material: Messing vernickelt
 Klemmeinsatz: PA
 Dichtung: NBR
 O-Ring: NBR
 Einsatztemperatur: -20 °C bis 95 °C
 Schutzart: IP 68

Zertifikat: DMT 03 ATEX E 051 X

Cable Glands

EMC protection

Material: brass, nickel-plated
 Clamping insert: PA (Nylon)
 Sealing insert: NBR
 O-ring: NBR
 Temperature range: -20 °C to 95 °C
 Protection type: IP 68

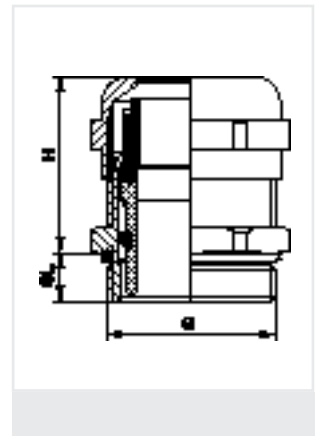
Certificate: DMT 03 ATEX E 051 X

157.10

157.30



Gewinde Entry Thread G	mm	mm	H mm	Gew. kurz / Thread short		Gew. lang / Thread long	
				GL mm	No	GL mm	No.
M 12 x 1,5	2 - 5	14	19	5	157.1505.10	10	157.1505.30
	3 - 6,5				157.1507.10		157.1507.30
M 16 x 1,5	3 - 7	20	22	6	157.1707.10	10	157.1707.30
	6 - 10				157.1710.10		157.1710.30
M 20 x 1,5	7 - 12	24	24	6	157.2012.10	10	157.2012.30
	10 - 14				157.2014.10		157.2014.30
M 25 x 1,5	10 - 16	30	25	7	157.2516.10	12	157.2516.30
	14 - 18				157.2518.10		157.2518.30
M 32 x 1,5	13 - 20	40	31	8	157.3220.10	12	157.3220.30
	20 - 25				157.3225.10		157.3225.30
M 40 x 1,5	20 - 26	50	37	8	157.4026.10	15	157.4026.30
	22 - 32				157.4032.10		157.4032.30
M 50 x 1,5	25 - 31	57	37	9	157.5031.10		
	32 - 38				157.5038.10		
M 63 x 1,5	29 - 35	68/64	38	10	157.6335.10		
	37 - 44				157.6344.10		
Pg 7	2 - 5	14	19	5	157.0705.10	10	157.0705.30
	3 - 6,5				157.0707.10		157.0707.30
Pg 9	2 - 6	17	21	6	157.0906.10	10	157.0906.30
	4 - 8				157.0908.10		157.0908.30
Pg 11	3 - 7	20	22	6	157.1107.10	10	157.1107.30
	6 - 10				157.1110.10		157.1110.30
Pg 13,5	5 - 9	22	23	6,5	157.1309.10	10	157.1309.30
	6 - 12				157.1312.10		157.1312.30
Pg 16	7 - 12	24	24	6,5	157.1612.10	10	157.1612.30
	10 - 14				157.1614.10		157.1614.30
Pg 21	10 - 16	30	25	7	157.2116.10	12	157.2116.30
	14 - 18				157.2118.10		157.2118.30
Pg 29	13 - 20	40	31	8	157.2920.10	12	157.2920.30
	20 - 25				157.2925.10		157.2925.30
Pg 36	20 - 26	50	37	8	157.3626.10	15	157.3626.30
	22 - 32				157.3632.10		157.3632.30
Pg 42	25 - 31	57	37	9	157.4231.10	15	157.4231.30
	32 - 38				157.4238.10		157.4238.30
Pg 48	29 - 35	64	38	10	157.4835.10	15	157.4835.30
	37 - 44				157.4844.10		157.4844.30
3/8" NPT	2 - 6	19/17	21	15	157.3906.10		
	4 - 8				157.3908.10		
1/2" NPT	5 - 9	24/22	24	13	157.1909.10		
	6 - 12				157.1912.10		
3/4" NPT	10 - 16	30	25	13	157.3516.10		
	14 - 18				157.3518.10		



Einfache Handhabung:

Das Abschirmgeflecht muss nur über den Kunststoffeinsatz gestülpt werden und muss den O-Ring ca. 2 mm überdecken.

Simple installation:

The braided shield has to be turned up over the clamping insert and must overlap the O-ring by approx. 2 mm.

Maß- und Konstruktionsänderungen vorbehalten

Dimensions and constructions are subject to alterations