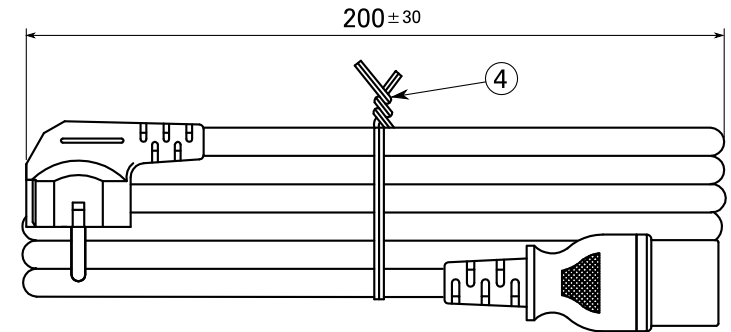
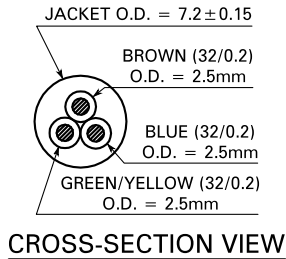


CABLE MARKING: GFC-3R ◁ VDE ▷ KEMA-KEUR ◁ SEMKO ▷ ◁ DEMKO ▷ ◁ NEMKO ▷  
 ◁ FIMKO ▷ ◁ CEBEC 618 ▷ ◁ ÖVE ▷ +S+S+S IEMMEQU  
 NF-USE-1291-H05VV-F 3G 1.00mm<sup>2</sup> Mfg. Plant XXXX  
 YEAR



HANK DETAIL  
 PUT-UP: STANDARD

APPROX. WEIGHT PER 100 PIECES: GROSS 31.5 kg (NET 26 kg)

BILL OF MATERIALS			
ITEM	DESCRIPTION	QTY	PART NO.
1	MOLDED PLUG, 16A/250V~ BLACK	1	LP-33 (CEE 7/7)
2	H05VV-F 1.00mm <sup>2</sup> 3C BLACK	1	N/A
3	MOLDED CONNECTOR, 10A/250V~ BLACK	1	LS-60 (IEC 60320-1/C13)
4	MINI TIE	1	N/A

NOTES:

1. CABLE: THE CORD SHALL COMPLY WITH IEC 60227.
2. PLUG: THE MOLDED PLUG SHALL COMPLY WITH CEE PUB 7.
3. CONNECTOR: THE MOLDED CONNECTOR SHALL COMPLY WITH IEC 60320-1 STANDARDS (C13 CONNECTOR).
4. THE PRODUCT SHALL BE TESTED 100% FOR ALL SAFETY ELECTRICAL ITEMS.
5. COLOR: BLACK (CODE P/N: 0A).
6. THIS PRODUCT IS RoHS COMPLIANT.

Tolerance: > 0 ± 0.3 > 1 ± 0.5 > 10 ± 1 > 20 ± 2	Approved		Date		www.biagmbh.com Copyright © B-I-A GmbH, Germany			
	Updated		Date		<b>B-I-A Vertriebs GmbH</b>			
Angle: ± 1°	Drawn	jup	Date	2012-09-12	Online Catalog: www.biaonline.com info@biaonline.com			
	Catalog No.	<b>LP3910BK025</b>		P/N Line	<b>127197</b>	<b>L1307</b>		
	Drawing No.	GW-76511	Rev.	1	Material	Thermoplastic	Unit	mm
					Scale	X		