

4" SQUARE BOXES 2-1/8" DEEP

Applications

- Boxes are installed in ceilings or walls for lighting fixtures, switches or receptacles
- Square boxes are used where multiple conductor runs are split into two or more directions to bring power to a number of electrical devices

Product Features

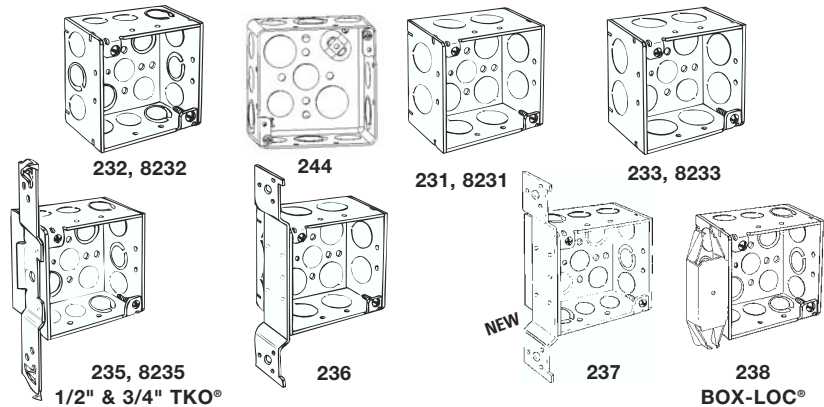
- We offer a variety of labor saving mounting brackets that allow for easy positioning of box along studs or joists
- See Box Selection section in the front of this catalog for complete description of bracket types and features
- BOX-LOC® (MS) Bracket Box is a snap to install. Place the bracket on the open side of the stud first. Slots in the bracket engage the lip of the stud and actually crimp it as you press the bracket on the stud. Barbed hooks dig into the flat side of the stud, quickly locking it in place
- Combination screw heads provide for faster installation
- TKO® knockouts offer greater flexibility with patented combination 1/2" and 3/4" knockout
- TKO® knockouts allow for design and installation flexibility

Compliances

- UL – File E195978

All single gang, two gang, 4" square, and single gang gangable U.L. listed steel boxes are acceptable for use in 2-hour fire rated walls. For additional information, consult U.L. "Fire Resistance Directory" or the U.L. website

250V Per U.L. 514-A, suitable for use without a bonding jumper in circuits above or below 250 volts



ORDERING INFORMATION - DIMENSIONS

4" SQUARE - 2-1/8" DEEP - WELDED WITH CONDUIT KO'S - 30.3 CUBIC INCHES						
CATALOG NUMBER	DESCRIPTION BRACKET & SETBACK	KNOCKOUTS		STD. PKG.	UPC BAR CODE	
		SIDES COND.	BOTTOM COND.			
250V 232	—	8-1/2", 4-TKO®	3-1/2", 2-TKO®	25	—	
250V 8232	—	8-1/2", 4-TKO®	3-1/2", 2-TKO®	25	—	
231	—	8-3/4"	1-1/2", 4-3/4"	25	—	
8231	—	8-3/4"	1-1/2", 4-3/4"	25	—	
233	—	8-1"	3-1/2", 2-3/4"	25	—	
8233	—	8-1"	3-1/2", 2-3/4"	25	—	
250V 235	TS, flush	6-1/2", 3-TKO®	3-1/2", 2-TKO®	25	—	
250V 8235	TS, flush	6-1/2", 3-TKO®	3-1/2", 2-TKO®	25	—	
236	FM, flush	6-3/4"	1-1/2", 4-3/4"	25	—	
250V 237	FM, flush	8-1/2", 4-TKO®	3-1/2", 2-TKO®	25	—	
250V 238	BOX-LOC® (MS) flush	8-1/2", 4-TKO®	3-1/2", 2-TKO®	25	—	

4" SQUARE - 2-1/8" DEEP - DRAWN WITH CONDUIT KO'S - 30.3 CUBIC INCHES					
CATALOG NUMBER	DESCRIPTION BRACKET & SETBACK	KNOCKOUTS		STD. PKG.	UPC BAR CODE
		SIDES COND.	BOTTOM COND.		
250V 244	—	8-1/2", 4-TKO	2-1/2", 2-3/4"	25	—

DIMENSIONS			
CATALOG NUMBER	A	B	C
232, 8232	2-1/8"	—	—
231, 8231	2-1/8"	—	—
233, 8233	2-1/8"	—	—
235, 8235	2-1/8"	7-5/32"	4-5/16"
236	2-1/8"	7-5/8"	4-3/8"
238	2-1/8"	4-5/8"	5-1/2"
244	2-1/8"	—	—

4" SQUARE BOXES

