

4" SQUARE COVERS


Applications

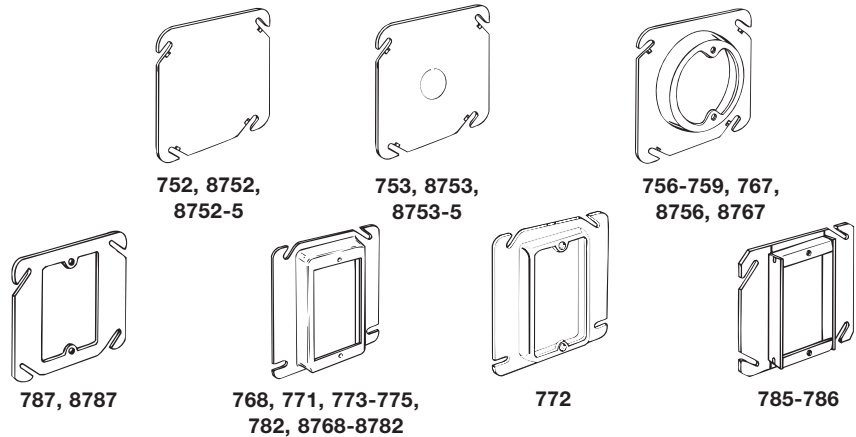
- Covers are used to close an outlet box
- Raised device covers are used for mounting switches or receptacles

Product Feature

- Angled mounting slots compensate up to 12° for box misalignment

Compliances

-  - File E195978
-  - File LR-1082



ORDERING INFORMATION - DIMENSIONS

4" SQUARE COVERS						
CATALOG NUMBER	DESCRIPTION	CU. IN.	STD. PKG.	UPC BAR CODE	MAX. RECOMMENDED SUPPORT LOADS	
					CEILING FAN (DYNAMIC) LBS.	FIXTURE (STATIC) LBS.
752	Flat, blank	—	50	—	No	No
8752	Flat, blank	—	50		No	No
8752-5	Flat, blank	—	50*		No	No
753	Flat, 1/2" KO in center	—	50	—	No	No
8753	Flat, 1/2" KO in center	—	50		No	No
8753-5	Flat, 1/2" KO in center	—	50*		No	No
767	Raised 1/2", open, ears 2-3/4" O.C.	3.0	25	—	No	50
8767	Raised 1/2", open, ears 2-3/4" O.C.	3.0	25		No	50
756	Raised 5/8", open, ears 2-3/4" O.C.	4.0	100	—	No	50
8756	Raised 5/8", open, ears 2-3/4" O.C.	4.0	100		No	50
759	Raised 3/4", open, ears 2-3/4" O.C.	5.0	25		No	50
757	Raised 1", open, ears 2-3/4" O.C.	6.8	25		No	50
758	Raised 1-1/4", open, ears 2-3/4" O.C.	8.5	25	—	No	50

*5 Bundles of 10

4" SQUARE COMBINATION - DEVICE AND TILE COVERS - SINGLE DEVICE				
CATALOG NUMBER	DESCRIPTION	CU. IN.	STD. PKG.	UPC BAR CODE
787	Flat	—	50	—
8787	Flat	—	50	
771	Raised 1/4"	1.5	100	—
8771	Raised 1/4"	1.5	25	
772	Raised 1/2", drawn	3.5	100	—
8772	Raised 1/2", drawn	3.5	50	
782	Raised 1/2", tile	3.5	25	—
8782	Raised 1/2", tile	3.5	25	
768	Raised 5/8"	4.5	50	—
8768	Raised 5/8"	4.5	50	
773	Raised 3/4"	5.5	50	—
8773	Raised 3/4"	5.5	50	
774	Raised 1"	7.5	25	
775	Raised 1-1/4"	9.5	25	—
8775	Raised 1-1/4"	9.5	25	
785	Raised 1-1/2"	11.3	25	—
786	Raised 2"	14.5	25	—