

RIGID AND IMC FITTINGS DIE CAST - THREADED HUBS



Applications

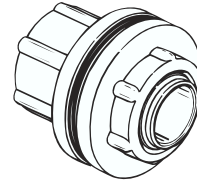
- For use with threaded rigid/IMC conduit, to connect and bond conduit to a threadless opening in a box or enclosure
- May be used in wet or dry locations

Product Features

- Rugged metallic construction insures mechanical protection
- Insulated throat protects wires and reduces wire pulling effort
- O-ring seals the assembly and provides a raintight seal

Compliances

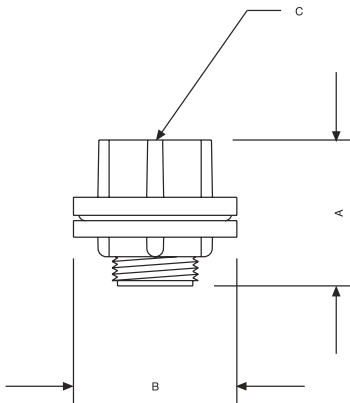
-  - Standard 514B
-  - C22.2 #18



THREADED HUBS INSULATED THROAT
DIE CAST ZINC

ORDERING INFORMATION - DIMENSIONS

THREADED HUBS INSULATED THROAT - DIE CAST ZINC				
CATALOG NUMBER	TRADE SIZE	UNIT CTN. QTY.	SHIP CTN. QTY.	UPC BAR CODE
1702	1/2"	—	25	—
1703	3/4"	—	25	—
1704	1"	—	25	—
1705	1-1/4"	—	10	—
1706	1-1/2"	—	10	—
1708	2"	—	10	—
1710	2-1/2"	—	5	—
1712	3"	—	2	—
1714	3-1/2"	—	2	—
1716	4"	—	2	—



A = Overall length
B = O.D.
C = Thread size

DIMENSIONS			
CATALOG NUMBER	A	B	C
1702	1.500	1.437"	1/2-14 NPT
1703	1.510	1.685	3/4-14 NPT
1704	1.812	1.921	1-11-1/2 NPT
1705	1.877	2.370	1-1/4-11-1/2 NPT
1706	1.920	2.745	1-1/2-11-1/2 NPT
1708	1.895	3.236	2-11-1/2 NPT
1710	2.605	3.708	2-1/2-8 NPT
1712	2.615	4.370	3-8 NPT
1714	2.570	4.941	3-1/2-8 NPT
1716	2.590	5.450	4-8 NPT