

RAYNTITE® M.R. II SINGLE-GANG WEATHERPROOF-WHILE-IN-USE COVERS POLYCARBONATE



Application

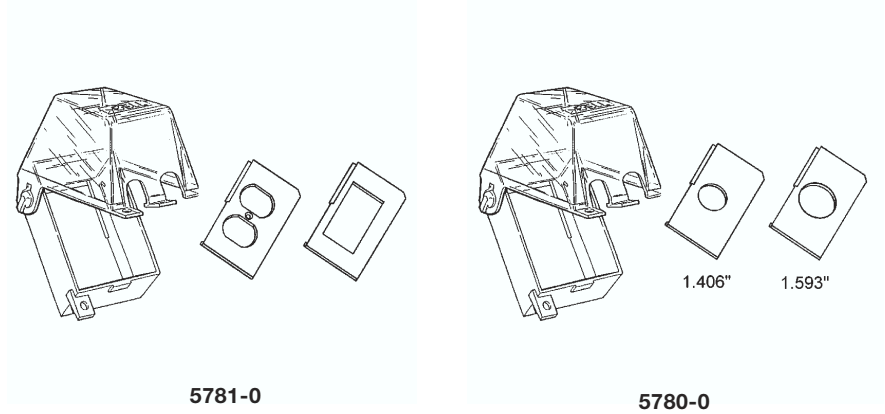
- Rayntite® M.R. II covers are designed for use whenever weatherproof protection is required while an outlet is in use

Product Features

- Modularity — 9 SKU's cover almost every application — no need to tie-up money and shelf space stocking multiple SKU's
- High-Impact polycarbonate construction — virtually indestructible
- No need to worry about rust and corrosion
- Tinted lid — hides dust, dirt, and scratches
- Padlockable design — prevents tampering and accidental disconnects
- Tri-lingual instructions — one product for all North American markets
- Covers can be either device or box mounted — allows for installation flexibility
- Meets NEC 410-57(B) requirements — no need to worry about Code compliance

Compliances

-  – Standard 514C
-  – C22.2 No. 18
- NEMA 3R Rated
- Meets NEC 410-57(B) requirements



ORDERING INFORMATION - DIMENSIONS

SINGLE-GANG - DEEP SIZE				
CATALOG NUMBER	RECEPTACLE TYPE	PKG. TYPE	STD. PKG.	UPC BAR CODE
5781-0	(1) Duplex (1) GFCI – Vertical Mount	Shrink	6	
5780-0	(1) 1.406" diameter (1) 1.593" diameter Vertical Mount	Shrink	6	

