

## RAYNTITE® SINGLE-GANG DEVICE COVERS DIE CAST ALUMINUM



### Application

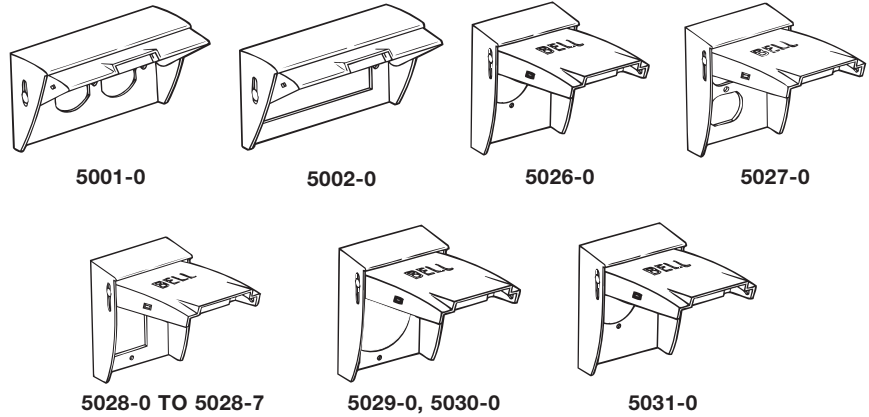
- For use whenever weatherproof protection is required for an outdoor receptacle

### Product Features

- Rugged die cast construction
- State-of-the-art powder coat finish provides maximum weatherability and scratch resistance
- Self-closing lids assure weather-proof protection when the receptacle is not in use
- Vertical mount covers are padlockable
- May be mounted to box or device
- Includes installation hardware, gasket, and multi-lingual instructions

### Compliances

-  – Standard 514A
-  – C22.2 No. 18
- NEMA 3R Rated

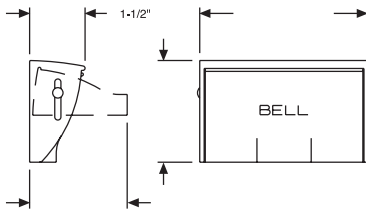


## ORDERING INFORMATION - DIMENSIONS

HORIZONTAL MOUNT					
CATALOG NUMBER	COLOR	RECEPTACLE TYPE	PKG. TYPE	STD. PKG.	UPC BAR CODE
5001-0	Gray	Duplex	Shrink	24	
5002-0	Gray	GFCI	Shrink	24	

VERTICAL MOUNT - PADLOCKABLE					
CATALOG NUMBER	COLOR	RECEPTACLE TYPE	PKG. TYPE	STD. PKG.	UPC BAR CODE
5026-0	Gray	Single, 1.593" diameter	Shrink	24	
5027-0	Gray	Duplex	Shrink	24	
5028-0	Gray	GFCI	Shrink	24	
5028-5	Gray	GFCI	Carded	6	
5028-6	White	GFCI	Carded	6	
5028-7	Bronze	GFCI	Carded	6	
5029-0	Gray	20A, 1.710" diameter	Shrink	12	
5030-0	Gray	30-50A, 2.150" diameter	Shrink	12	
5031-0	Gray	Single, 1.406" diameter	Shrink	12	

### HORIZONTAL MOUNT COVERS



### VERTICAL MOUNT COVERS

