

ARMORED CABLE CONNECTORS MALLEABLE IRON/ZINC DIE CAST - CONNECTORS


Application

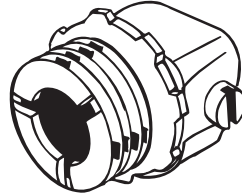
- For use in dry locations to bond armored cable to a box or enclosure

Product Feature

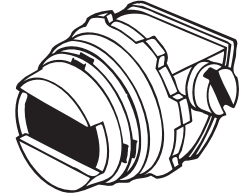
- Rugged metallic construction insures mechanical protection for the raceway

Compliance

-  - Standard 514B



SET SCREW
MALLEABLE IRON



SET SCREW
DIE CAST ZINC

ORDERING INFORMATION - DIMENSIONS

SET SCREW - MALLEABLE IRON			
CATALOG NUMBER	UNIT CTN. QTY.	SHIP CTN. QTY.	UPC BAR CODE
2181	—	50	—

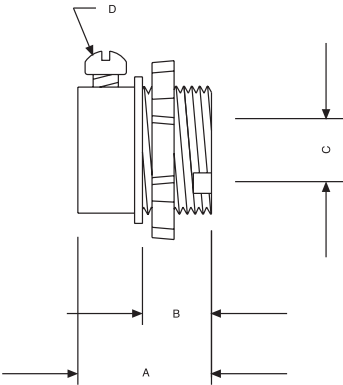
1/2" Hub size suitable for use with steel armored cable 14-2 (.450) to 10-2

DIMENSIONS				
CATALOG NUMBER	A	B	C	D
2181	1-1/16"	19/32"	11/32"	Fillister Head 10-24 x 1/2"

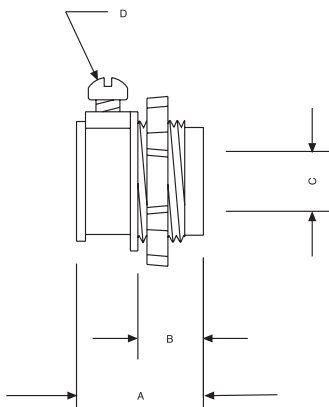
SET SCREW - DIE CAST ZINC			
CATALOG NUMBER	UNIT CTN. QTY.	SHIP CTN. QTY.	UPC BAR CODE
2511	100	1000	—

1/2" Hub size suitable for use with steel armored cable sizes 2#14, 3#14, 2#12, 3#12, 2#10, and 3#10 all with ground wire

DIMENSIONS				
CATALOG NUMBER	A	B	C	D
2511	7/8"	7/16"	3/8"	10-24 x 1/2"



A = Overall length
B = Thread length
C = Throat I.D.
D = Screw spec



A = Overall length
B = Thread length
C = Throat I.D.
D = Screw spec

ARMORED CABLE CONNECTORS ZINC DIE CAST - CONNECTORS

Application

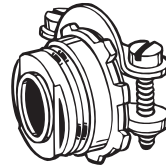
- For use in dry locations to bond armored cable to a box or enclosure

Product Feature

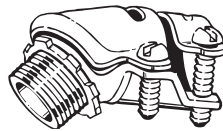
- Rugged metallic construction insures mechanical protection for the raceway

Compliance

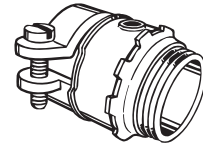
-  - Standard 514B



CLAMP TYPE
DIE CAST ZINC



45 DEGREE SQUEEZE
UNINSULATED
DIE CAST ZINC



SQUEEZE TYPE
UNINSULATED
DIE CAST ZINC

ORDERING INFORMATION - DIMENSIONS

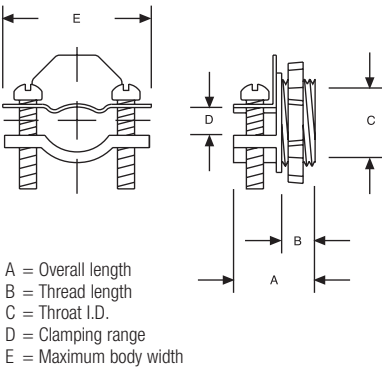
CLAMP TYPE - DIE CAST ZINC

CATALOG NUMBER	TRADE SIZE	UNIT. CTN. QTY.	SHIP. CTN. QTY.	UPC BAR CODE
2661	—	100	1000	—

For 1/2" knockout. Suitable for use with steel armored cable sizes 2#14, 3#14, 2#12, 3#12, 2#10, and 3#10 all with ground wire

DIMENSIONS

CATALOG NUMBER	A	B	THD. SPEC.	C	D	E
2661	27/32"	3/8"	1/2-14	3/8"	5/32"-5/8"	1-3/16"



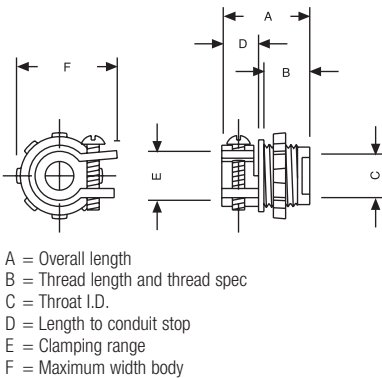
SQUEEZE TYPE - UNINSULATED - DIE CAST ZINC

CATALOG NUMBER	TRADE SIZE	UNIT. CTN. QTY.	SHIP. CTN. QTY.	UPC BAR CODE
2191	3/8"	50	500	—
2192	1/2"	25	250	—
2193	3/4"	25	250	—
2194	1"	10	100	—

* For 1/2" knockout. Suitable for steel armored cable and flexible metal conduit

DIMENSIONS

CATALOG NUMBER	A	B	THD. SPEC.	C	D	E	F
2191	15/16"	13/32"	1/2-14	11/32"	13/32"	17/32"-21/32"	1-1/16"
2192	1-7/16"	13/32"	1/2-14	5/8"	1/2"	27/32"-31/32"	1-3/8"
2193	1-9/16"	7/16"	3/4-14	13/16"	21/32"	31/32"-15/32"	1-19/32"
2194	1-3/4"	9/16"	1-11-1/2	1-1/32"	9/16"	1-3/16"-1-7/16"	1-27/32"

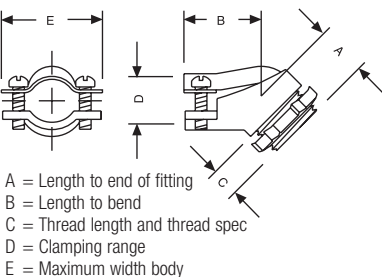


45 DEGREE SQUEEZE - UNINSULATED - DIE CAST ZINC

CATALOG NUMBER	TRADE SIZE	UNIT. CTN. QTY.	SHIP. CTN. QTY.	UPC BAR CODE
2222	1/2"	—	25	—

DIMENSIONS

CATALOG NUMBER	A	B	SPEC.	C	D	THD. E
2222	13/16"	2"	1/2"	1/2-14	25/32"-29/32"	1-3/8"



ARMORED CABLE CONNECTORS MALLEABLE IRON - 90 DEGREE CONNECTORS

Application

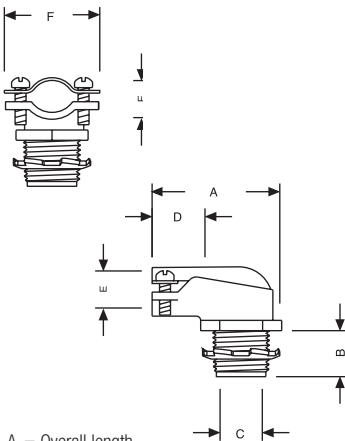
- For use in dry locations to bond armored cable to a box or enclosure

Product Features

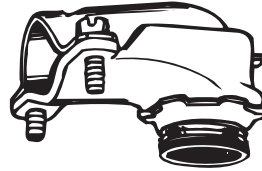
- Rugged metallic construction insures mechanical protection for the raceway
- UPC bar coded fittings are individually polybagged with a preprinted UPC-A bar code and packaged in pre-scored tear top cartons for an attractive presentation

Compliance

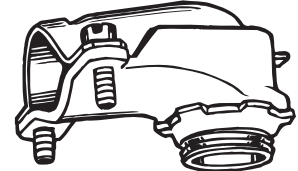
-  - Standard 514B



A = Overall length
 B = Thread length and thread spec
 C = Throat I.D.
 D = Length to conduit stop
 E = Clamping range
 F = Maximum width body



90 DEGREE SQUEEZE
INSULATED THROAT
MALLEABLE IRON



90 DEGREE SQUEEZE
UNINSULATED
MALLEABLE IRON

ORDERING INFORMATION - DIMENSIONS

90 DEGREE SQUEEZE - INSULATED THROAT - MALLEABLE IRON				
CATALOG NUMBER	TRADE SIZE	UNIT. CTN. QTY.	SHIP. CTN. QTY.	UPC BAR CODE
3201	3/8" *	—	50	—
3202	1/2"	—	25	—
3202-8	1/2"	1	25	
3203	3/4"	—	25	—
3203-8	3/4"	1	20	

* For 1/2" knockout

90 DEGREE SQUEEZE - UNINSULATED - MALLEABLE IRON				
CATALOG NUMBER	TRADE SIZE	UNIT. CTN. QTY.	SHIP. CTN. QTY.	UPC BAR CODE
2201	3/8" *	—	50	—
2202	1/2"	25	100	—
2202-8	1/2"	1	25	
2203	3/4"	—	50	—
2203-8	3/4"	1	20	

* For 1/2" knockout

DIMENSIONS							
CATALOG NUMBER	A	B	THD. SPEC.	C	D	E	F
3201, 2201	2	9/16"	1/2-14 NPT	.622"	3/4"	7/16"-5/8"	1-3/8"
3202, 2202	2	9/16"	1/2-14 NPT	.622"	7/8"	23/32"-15/16"	2"
3202-8, 2202-8	2	9/16"	1/2-14 NPT	.622"	7/8"	23/32"-15/16"	2"
3203, 2203	2-1/8"	1/2"	3/4-14 NPS	.822"	1"	7/8"-1-1/8"	2-3/16"
3203-8, 2203-8	2-1/8"	1/2"	3/4-14 NPS	.822"	1"	7/8"-1-1/8"	2-3/16"

ARMORED CABLE CONNECTORS DIE CAST ZINC - 90 DEGREE AND DUPLEX CONNECTORS


Application

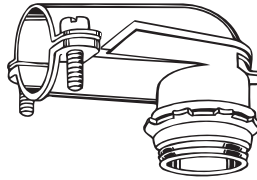
- For use in dry locations to bond armored cable to a box or enclosure

Product Feature

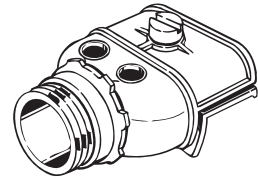
- Rugged metallic construction insures mechanical protection for the raceway

Compliance

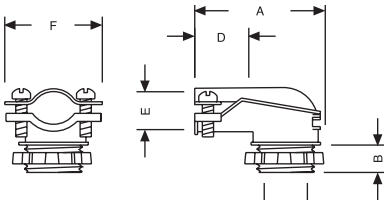
-  - Standard 514B



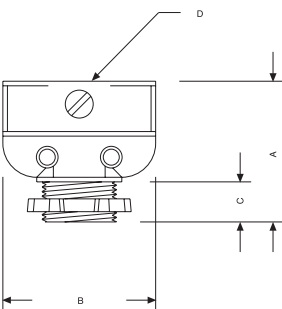
90 DEGREE SQUEEZE
UNINSULATED
DIE CAST ZINC



DUPLEX
DIE CAST ZINC



- A = Overall length
- B = Thread length and thread spec
- C = Throat I.D.
- D = Length to conduit stop
- E = Clamping range
- F = Maximum width body



- A = Overall length
- B = Width
- C = Thread length
- D = Clamping range

ORDERING INFORMATION - DIMENSIONS

90 DEGREE SQUEEZE - UNINSULATED - DIE CAST ZINC				
CATALOG NUMBER	TRADE SIZE	UNIT. CTN. QTY.	SHIP. CTN. QTY.	UPC BAR CODE
2691	3/8"*	50	500	—
2692	1/2"	25	250	—
2693	3/4"	10	100	—

* For 1/2" knockout

DIMENSIONS							
CATALOG NUMBER	A	B	B THD. SPEC.	C	D	E	F
2691	1-7/8"	3/8"	1/2-14	19/32"	13/16"	13/32"-9/16"	1-5/16"
2692	2-9/32"	11/32"	1/2-14	5/8"	1-1/32"	21/32"-15/16"	1-21/32"
2693	2-7/16"	15/32"	3/4-14	25/32"	1-1/8"	25/32"-1-1/8"	1-29/32"

DUPLEX - DIE CAST ZINC				
CATALOG NUMBER	TRADE SIZE	UNIT. CTN. QTY.	SHIP. CTN. QTY.	UPC BAR CODE
2611	3/8"*	25	250	—

*For 1/2" knockout

DIMENSIONS				
CATALOG NUMBER	A	B	C	D
2611	1-9/16"	1-21/32"	7/16"	1/8"-9/16"


Application

- For use in dry locations to connect MCI, AC and HCF cable to a box or enclosure

Product Features

- Patented snap-in design — MCI, AC and HCF Cable can be securely installed in outlet boxes or enclosures in seconds, **without tools or locknuts**
- Redi-Loc[®] Connectors cut installation time by 33% over competing termination methods
- Compact single unit design — no need to worry about loose components or fumbling with protruding hardware
- Snaps tightly into the knockout — no need to worry about a loose connection
- Reusable design — installation can be reversed just as easily as it was originally installed
- Integral red insuliner — provides for maximum wire protection and liner visibility for inspecting authorities
- Durable all steel construction
- Zinc electroplated — for corrosion protection
- Tri-lingual (English, Spanish and French) installation instructions included in each unit carton
- UPC bar coded fittings are individually polybagged with a preprinted UPC-A bar code and packaged in pre-scored tear top cartons for an attractive presentation

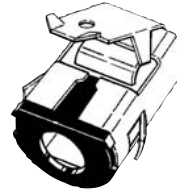
Compliances

-  – Standard 514B
-  – C22.2 #18

Reference Data

- REDI-LOC[®] connectors (2700, 2700AJ and 2701) U.S. Patent 5,731,543

METAL CLAD CABLE CONNECTORS STEEL - REDI-LOC[®] CONNECTORS



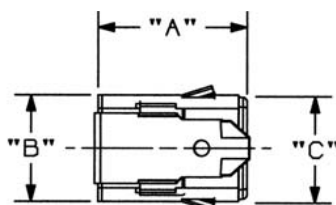
**REDI-LOC[®] CONNECTORS
CONNECTORS FOR MCI, AC
AND HCF CABLES
STEEL**

ORDERING INFORMATION - DIMENSIONS

REDI-LOC [®] CONNECTORS - CONNECTORS FOR MCI, AC AND HCF CABLES STEEL					
CATALOG NUMBER	TRADE SIZE	CABLE SIZE	UNIT CTN. QTY.	SHIP CTN. QTY.	UPC BAR CODE
2700	1/2"	MCI Cable: .434"-.530" Alum. or .430"-.530" Steel Armored Cable (AC): 14/2 (.430) to 12/3 Alum. & Steel	50	500	—
2700-8	1/2"	Same info. as above	1	25	■■■■
2700AJ	1/2"	MCI Cable: .475"-.575" Alum. & Steel. Armored Cable (AC): 14-2 (.475) to 12-4 Alum. & Steel	50	500	—
2701	3/4"	MCI Cable: .590"-.680" Alum. or .565"-.659" Steel Armored Cable (AC): 10/3 (.590") to 8/3 Alum. & Steel	25	250	—
2701-8	3/4"	Same info. as above	1	20	■■■■

DIMENSIONS			
CATALOG NUMBER	A	B	C
2700, 2700AJ	1.070"	.700"	.375"
2700-8	1.070"	.700"	.375"
2701	1.070"	.888"	.500"
2701-8	1.070"	.888"	.500"

REDI-LOC [™] SELECTION GUIDE			
CABLE TYPE	2700, 2700-8 1/2" KO	2700AJ 1/2" KO	2701, 2701-8 3/4" KO
AC Steel	14/2, 14/3, 14/4, 12/2 12/3	14/2, 14/3, 14/4, 14/5	12/5, 10/2, 10/3, 10/4
HCF Steel Health Care Facilities	14/2, 14/3, 12/2, 12/3	14/2, 14/3, 12/2, 12/3	12/3, 12/5, 10/2, 10/3, 10/4 w/Grind
AC Aluminum	14/2, 14/3, 14/4, 12/2 12/3	14/2, 14/3, 14/4, 14/5 12/2, 12/3, 10/2	12/5, 10/2, 10/3, 10/4
MCI Steel (MCI Cables include an add'l ground wire)	14/2, 14/3, 12/2	14/3, 14/4, 12/2, 12/3 10/2	12/4, 12/5, 12/6, 10/2 10/3
MCI Aluminum (MCI Cables include an add'l ground wire)	14/2, 14/3, 12/2	14/3, 14/4, 12/2, 12/3 10/2	12/4, 12/5, 12/6, 10/2 10/3



A = Overall length
B = Body width
C = Throat I.D.

METAL CLAD CABLE CONNECTORS STEEL



Application

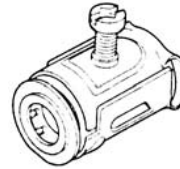
- For use in dry locations to connect MCI, AC and HCF cable to a box or enclosure

Product Features

- Easy to install, just tilt, insert and snap down
- Tri-head screw/clamp design — connector can be installed by using a slotted, Phillips or Robertson head screwdriver
- Integral insuliner — provides for maximum wire protection
- Durable all-steel construction
- Zinc electroplated — for corrosion protection

Compliances

-  – Standard 514B
-  – C22.2 #18



2800, 2801

ORDERING INFORMATION - DIMENSIONS

CONNECTORS - FOR MCI, AC AND HCF CABLES - STEEL				
CATALOG NUMBER	TRADE SIZE	UNIT CTN. QTY.	SHIP CTN. QTY.	UPC BAR CODE
2800	1/2"	50	500	—
2801	3/4"	25	250	—

SELECTION GUIDE		
CABLE TYPE	2800 1/2" KO	2801 3/4" KO
AC Steel	14/2, 14/3, 14/4, 12/2, 12/3, 12/4, 10/2, 10/3	10/4, 10/5, 8/3, 8/4, 6/3
HCF Steel	14/2, 14/3, 12/2, 12/3, 10/2	—
AC Aluminum	14/2, 14/3, 14/4, 12/2, 12/3, 12/4	10/4, 8/3, 8/4
MCI Steel	14/2, 14/3, 14/4, 12/2, 12/3, 12/4, 10/2	10/3, 10/4, 8/2, 8/3
MCI Aluminum	14/2, 14/3, 14/4, 12/2, 12/3, 12/4, 10/2	10/3, 10/4, 8/2
MC Aluminum	14/3, 14/4, 12/2, 12/3, 12/4, 10/2, 10/3	—

METAL CLAD CABLE CONNECTORS STEEL - REDI-LOC[®] CONNECTORS



Application

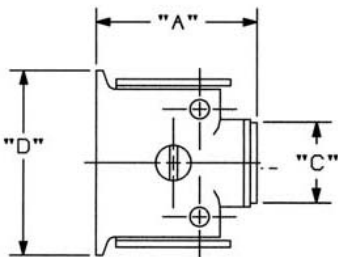
- For use in dry locations to connect MCI, AC and HCF cable to a box or enclosure

Product Features

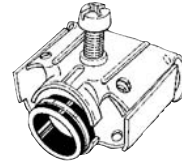
- Tri-Head screw/clamp design — can accommodate two runs of MCI, AC and HCF Cable. Connector can be installed by using a slotted, Phillips or Robertson head screwdriver
- Reusable design — installation can be reversed just as easily as it was originally installed
- Integral red insuliner — provides for maximum wire protection and liner visibility for inspecting authorities
- Durable all steel construction
- Zinc electroplated — for corrosion protection
- Tri-lingual (English, Spanish and French) installation instructions included in each unit carton
- UPC bar coded fittings are individually polybagged with a preprinted UPC-A bar code and packaged in pre-scored tear top cartons for an attractive presentation

Compliances

-  – Standard 514B
-  – C22.2 #18




A = Overall length
B = Body height
C = Throat I.D.
D = Body width



**REDI-LOC[®] DUPLEX
CONNECTOR - FOR MCI, AC
AND HCF CABLES
STEEL**

ORDERING INFORMATION - DIMENSIONS

REDI-LOC [®] DUPLEX CONNECTOR - FOR MCI, AC AND HCF CABLES - STEEL					
CATALOG NUMBER	TRADE SIZE	CABLE SIZE	UNIT CTN. QTY.	SHIP CTN. QTY.	UPC BAR CODE
2715	1/2"	MCI Cable .450"-.545" Alum. .425"-.550" Steel MCI Cable .380"-.550" Alum. Armored Cable (AC) 14/2 to 12/3 w/Grnd Alum. and Steel	25	250	—
2715-8	1/2"	Same info. as above	1	10	

REDI-LOC [®] SELECTION CHART	
CABLE TYPE	1/2" KO DUPLEX
AC Steel	14/2, 14/3, 12/2, 12/3
HCF Steel Health Care Facilities	14/2, 14/3, 12/2, 12/3
AC Aluminum	14/2, 14/3, 12/2, 12/3
MCI steel (MCI Cables include an add'l ground wire)	14/2, 14/3, 12/2, 12/3
MCI Aluminum (MCI Cables include an add'l ground wire)	14/2, 14/3, 12/2, 12/3

DIMENSIONS				
CATALOG NUMBER	A	B	C	D
2715	1.563"	.875"	.563"	1.719"
2715-8	1.563"	.875"	.563"	1.719"

METAL CLAD CABLE CONNECTORS

MALLEABLE IRON/DIE CAST ZINC - SET SCREW AND CLAMP TYPE CONNECTORS

Application

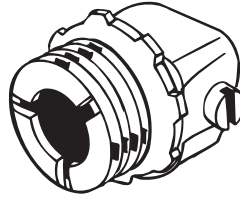
- For use in dry locations to connect MC/MCI cable to a box or enclosure

Product Feature

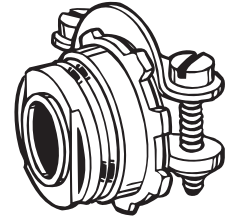
- Rugged metallic construction insures mechanical protection for the raceway

Compliance

-  - Standard 514B



SET SCREW
MALLEABLE IRON



CLAMP TYPE
DIE CAST ZINC

ORDERING INFORMATION - DIMENSIONS

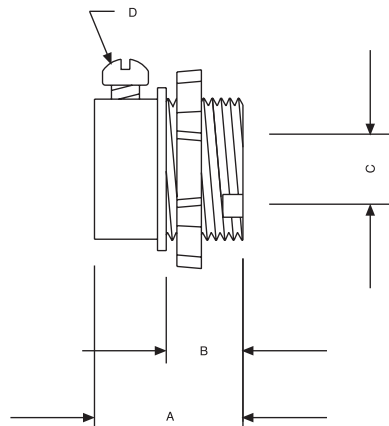
SET SCREW - MALLEABLE IRON				
CATALOG NUMBER	CABLE SIZE	UNIT CTN. QTY.	SHIP CTN. QTY.	UPC BAR CODE
2181	1/2" Hub size for Steel MCI cable .450"-.560" dia.	—	50	—

DIMENSIONS				
CATALOG NUMBER	A	B	C	D
2181	1-1/16"	19/32"	11/32"	Fillister Head 10-24 x 1/2"

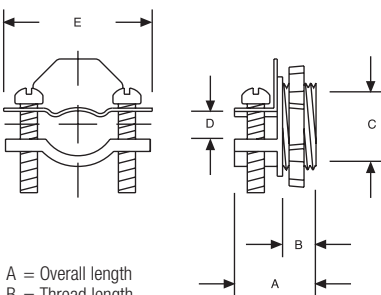
CLAMP TYPE - DIE CAST ZINC			
CATALOG NUMBER	UNIT CTN. QTY.	SHIP CTN. QTY.	UPC BAR CODE
2661	100	1000	—

1/2" HUB SIZE FOR MC CABLE - 2661 SELECTION CHART	
CABLE TYPE	DIAMETER
Rectangular Aluminum Corrugated	.277"-.375"
Aluminum Corrugated	.365"-.510"
Aluminum Smooth	.345"-.525"
Aluminum Interlocked	.455"-.575"
Steel Interlocked	.435"-.547"

DIMENSIONS						
CATALOG NUMBER	A	B	THD. SPEC.	C	D	E
2661	27/32"	3/8"	1/2-14	3/8"	5/32"-5/8"	1-3/16"



A = Overall length
B = Thread length
C = Throat I.D.
D = Screw spec



A = Overall length
B = Thread length
C = Throat I.D.
D = Clamping range
E = Maximum body width

METAL CLAD CABLE CONNECTORS DIE CAST ZINC - DUPLEX CONNECTORS

Application

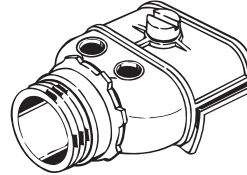
- For use in dry locations to connect MC/MCI cable to a box or enclosure

Product Feature

- Rugged metallic construction insures mechanical protection for the raceway

Compliance

-  - Standard 514B



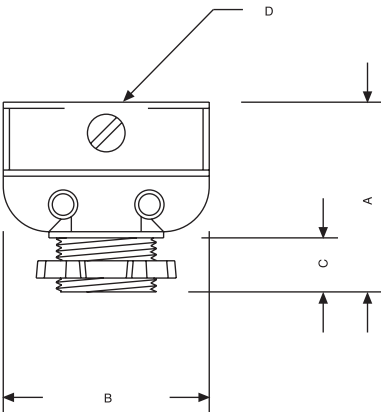
DUPLEX
DIE CAST ZINC

ORDERING INFORMATION - DIMENSIONS

DUPLEX - DIE CAST ZINC			
CATALOG NUMBER	UNIT CTN. QTY.	SHIP CTN. QTY.	UPC BAR CODE
2611	25	250	—

1/2" HUB SIZE FOR MC CABLE - 2611 SELECTION CHART	
CABLE TYPE	DIAMETER
Aluminum Smooth	.410"-.500"
Aluminum Interlocked	.460"-.538"
Steel Interlocked	.438"-.560"

DIMENSIONS				
CATALOG NUMBER	A	B	C	D
2611	1-9/16"	1-21/32"	7/16"	1/8"-9/16"



A = Overall length
B = Width
C = Thread length
D = Clamping range