

RAYNTITE® M.R. SRT 1-Gang Weatherproof-While-In-Use Cover

RAYNTITE® M.R. SRT Single-Gang Weatherproof-While-In-Use Covers are designed for use whenever weatherproof protection is required while an outlet is in use.

PRODUCT FEATURES

- **Modularity:** 6 SKU's cover almost every application — no need to tieup money and shelf space stocking multiple SKU's.
- **Unique snap fit design** speeds installation. No more fumbling with open covers.
- **High-impact polycarbonate construction:** Virtually indestructible.
- **No need to worry about rust and corrosion.**
- **Tinted lid:** Hides dust, dirt, and scratches.
- **Padlockable design:** Prevents tampering and accidental disconnects.
- **Tri-lingual instructions:** One product for all North American markets.
- **Covers can be either device or box mounted** — allows for installation flexibility.
- **Meets NEC 406.8 (B) requirements** — no need to worry about Code compliances.



Single Gang Cover Weatherproof-While-In-Use

Covers are Shrink Packed



Single Receptacle



Duplex Receptacle



Toggle Switch



Decora/GFCI Device

Catalog No.	Color	Description	VPE / Packed	EDP-Nr.
5735-0	Gray	Single Gang Cover Weatherproof-While-In-Use, Vertical, Deep with 4 Plates Included for Single or Duplex Receptacle, Toggle Switch or Decora/GFCI	630/6 ea	126438

COMPLIANCES

- c(UL)us
- NEMA 3R Rated
- Meets NEC 406.8 (B) Requirements

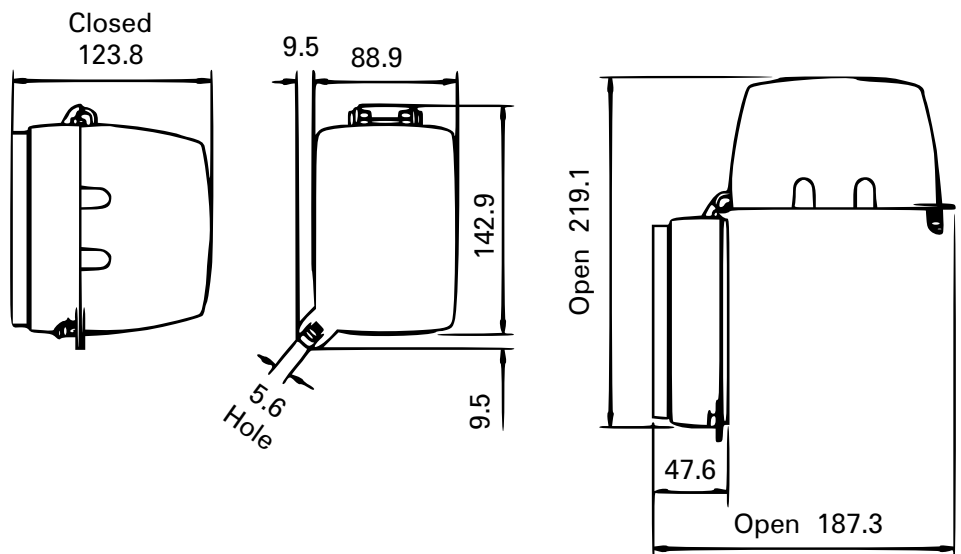
REFERENCE DATA

- Canadian Patent: 2,092,516
- United States Patents: 5,981,875 — 5,533,637 — 5,456,377 — 5,228,584

Plates Included for:

See illustration above.

- **Single Round Receptacle**
 Ø 1.344" (34.1 mm)
 Ø 1.406" (35.7 mm)
 Ø 1.468" (37.3 mm)
 Ø 1.593" (40.5 mm)
 Ø 1.655" (42.0 mm)
 Ø 1.719" (43.7 mm)
 Ø 2.032" (51.6 mm)
 Ø 2.156" (54.8 mm)
- **Duplex Receptacle**
- **Toggle Switch**
- **Decora/GFCI Device**



(Technical data and dimensions are subject to change without notice.)

Dimensions nominal in mm