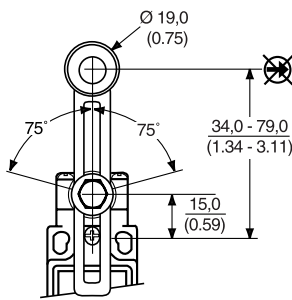


## GLOBAL LIMIT SWITCHES

### GLC EN 50047 Standard metal body (continued)

#### Side rotary adjustable



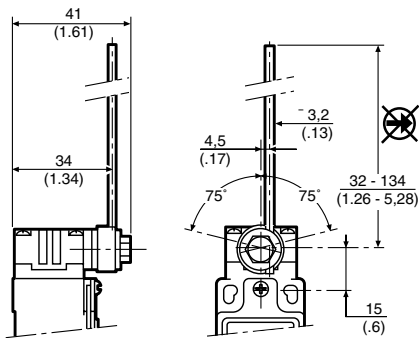
#### Plastic roller

CONTACT	CONDUIT	REFERENCE
SPDT	½ in NPT	GLCA01A2A
SPDT	PG 13,5	GLCB01A2A

#### Metal roller

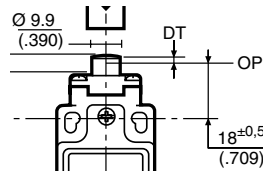
CONTACT	CONDUIT	REFERENCE
SPDT	½ in NPT	GLCA01A2B
SPDT	PG 13,5	GLCB01A2B
SPDT	20 mm	GLCC01A2B

#### Side rotary adjustable, metal rod



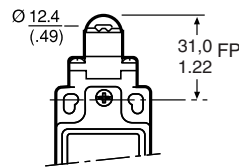
CONTACT	CONDUIT	REFERENCE
SPDT	½ in NPT	GLCA01A4J
SPDT	PG 13,5	GLCB01A4J

#### Top pin plunger



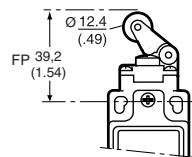
CONTACT	CONDUIT	REFERENCE
SPDT	½ in NPT	GLCA01B
SPDT	PG 13,5	GLCB01B
SPDT	20 mm	GLCC01B

#### Top roller plunger



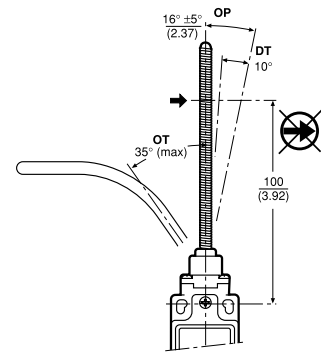
CONTACT	CONDUIT	REFERENCE
SPDT	½ in NPT	GLCA01C
SPDT	PG 13,5	GLCB01C
SPDT	20 mm	GLCC01C

#### Top roller lever



CONTACT	CONDUIT	REFERENCE
SPDT	½ in NPT	GLCA01D
SPDT	PG 13,5	GLCB01D
SPDT	20 mm	GLCC01D

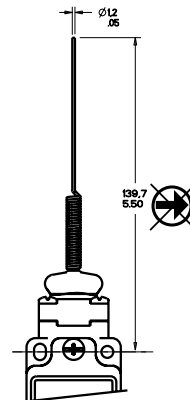
#### Wobble, coil actuator



Mechanical life: up to 5 million

CONTACT	CONDUIT	REFERENCE
SPDT	½ in NPT	GLCA01E7B
SPDT	PG 13,5	GLCB01E7B
SPDT	20 mm	GLCC01E7B

#### Wobble, cat whisker



Mechanical life: 5 million

CONTACT	CONDUIT	REFERENCE
SPDT	½ in NPT	GLCA01K8A
SPDT	PG 13,5	GLCB01K8A