

SECTION **5** TB SERIES OPEN CORE & COIL INDUSTRIAL CONTROL TRANSFORMERS

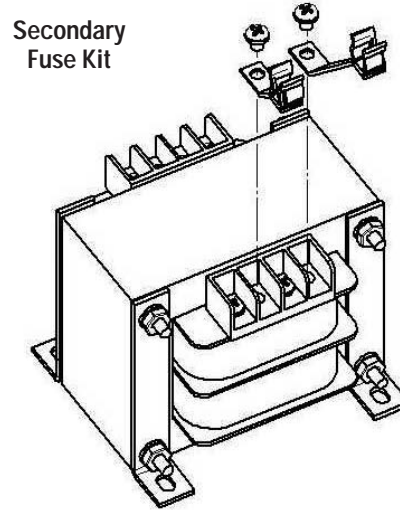
**TB Series Secondary Fuse Kits**

Type PL-79924, PL-79930, & PL-79931: Use Dual Element Slow-Blow Fuse

Catalog Number	VA	Type
PL-79924*	50-1000	1/4" x 1-1/4"
PL-79930	50-350	13/32" x 1-1/2"
PL-79931	500-1000	13/32" x 1-1/2"

- Mount secondary fuse clips on terminals X1 and F or F1 using the screws supplied with the transformer.
- Connect secondary load lines to terminals X2 and F or F2. Use Jumper Link to connect F1 and F2.
- Use dual-element slow-blowing fuses such as Littelfuse Type FLM (not supplied with fuse kits).

\* PL-79924: Use fuse kit on all transformers except 750 & 1000 VA with 24 volt secondary.



**Instructions for TB Series Secondary Fuse Kit**

Type PL-112603: use dual element slow-blow fuse 13/32" x 1-1/2" (1.0 x 3.8 cm)

1. To attach secondary fuse kit PL-112603 to primary fuse kits PL-112700 thru PL-112705 snap the secondary single pole fuse block onto the unlabeled side of the primary double pole fuse block. (See Figure 1)
2. Install the fuse kits as instructed under the primary fuse kit instructions on page 70.
3. Select the appropriate pair of jumpers for making the connections between the secondary fuse block and the secondary (X-side) of the transformer.
4. Connect the female quick-connect of the jumpers supplied to one of the male quick-connects of the secondary fuse block - one jumper to each end of the fuse block. (See Figure 2)
5. Connect the ring terminal of the jumpers supplied to screw terminals X1 and F or F1 on the secondary (X-side) of the transformer.
6. Connect secondary load lines to terminals X2 and F or F2.

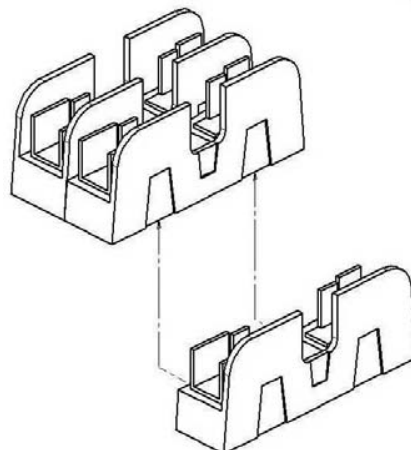


Figure 1

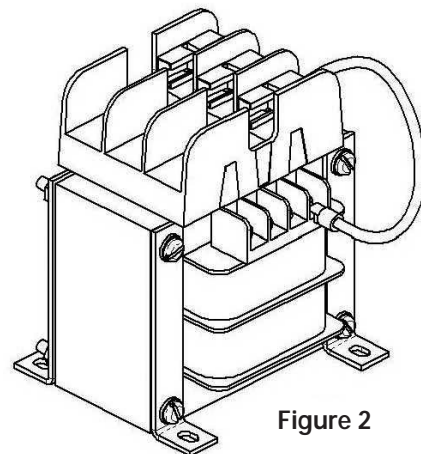


Figure 2