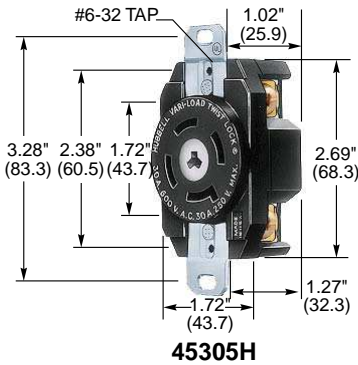


TWIST-LOCK® Devices

4 Pole 5 Wire Grounding

30 Ampere, 250 Volts; 30 Ampere, 600 Volts AC and 20 Ampere, 3Ø Y 120/208 Volts AC 400Hz

VARILOAD® TWIST-LOCK® Receptacles, Plugs, Connector Bodies and Flanged Inlets



45305H



45315H



45335H



In many large plants and laboratories the number of circuits of different ratings and frequency is greater than the number of blade configurations available in conventional wiring devices.

Prior to NEMA configuration standardization the solution was "Variload Twist-Lock" devices with four non-interchangeable center pin and slot configurations that can be designated to different circuits.

30A, 250V AC/DC 30A, 600V AC

Center Pin Configuration	Receptacles	Plugs	Connector Bodies	Flanged Inlets
	45105H	45115H	45135H	-
	45205H	45215H	45235H	-
	45305H	45315H	45335H	-

20A 120/208V 3Ø Y, 400 Hz

	45905H	45915H	45935H	45985CLH
--	--------	--------	--------	----------

Accessories

Plates

Description	Catalog Numbers
Brass, single-gang.	B725
Stainless steel, single-gang.	S725

Weatherproof Boots IP55** SUITABILITY

Description	Catalog Numbers
Seal-Tite black elastomer for Variload plugs.	6027H*
Seal-Tite, black elastomer for Variload connector bodies.	6028H*

Note: **When installed and used properly with plug and connector body combinations.
* Not UL Listed.

CAUTION: To avoid electrical shock, review premises carefully and do not use if slot or blade configuration (design) is already in a circuit having a rating differing from the rating of this device.