

TWIST-LOCK® Devices
3 Pole, 4 Wire Grounding
 30 Ampere, 125/250 Volts and 3Ø 250 Volts AC
Watertight Safety-Shroud TWIST-LOCK® System

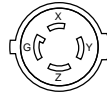


UL Listed, CSA Certified to Type 4, 4X, & 12

IP66
SUITABILITY



NEMA L14-30R
30A 125/250V
UL/CSA
2 (2) HP



NEMA L15-30R
30A 3Ø 250V AC
UL/CSA
3 HP

Watertight Safety-Shroud Twist-Lock Receptacles

Description	Catalog Numbers
Gray Valox® housing and flange.	HBL2710SW HBL2720SW

Note: Receptacles only fit boxes listed on page B-72.

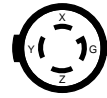


Watertight Safety-Shroud Twist-Lock Connector Bodies

Description	Catalog Numbers
Black Valox housing, white Valox clamps.	HBL2713SW HBL2723SW



NEMA L14-30P
30A 125/250V
UL/CSA
2 (2) HP



NEMA L15-30P
30A 3Ø 250V AC
UL/CSA
3 HP

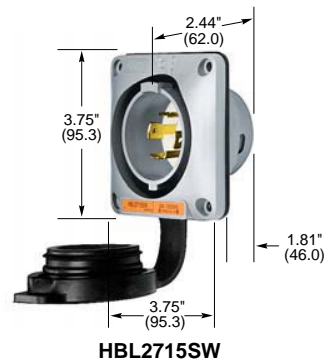
Watertight Safety-Shroud Twist-Lock Plugs

Description	Catalog Numbers
Black Valox housing, white Valox clamps.	HBL2711SW HBL2721SW



Watertight Safety-Shroud Twist-Lock Inlets

Description	Catalog Numbers
Gray Valox housing and flange.	HBL2715SW HBL2725SW



*Notes: Only receptacles and plugs 480V AC or less are HP rated.
 All HP ratings are AC only.
 HP rating in parentheses is phase to neutral.
 Cord grip range for plugs and connector bodies
 .35"-1.15" (9-29), #16-4 Type SJ to #8-4 Type S, SO.
 For technical information see page B-84.*

CIRCUIT-LOCK® Unfused Safety-Shroud Mechanical Interlock for Twist-Lock Receptacles

Description	Catalog Numbers
Mechanical Interlock accommodates 20A and 30A watertight Safety-Shroud receptacles.	HBLMITL*

*Note: *Not shown, see pages B-64 and B-65 for complete details.*

Dimensions in Inches (mm)

®Valox is a registered trademark of General Electric Company.