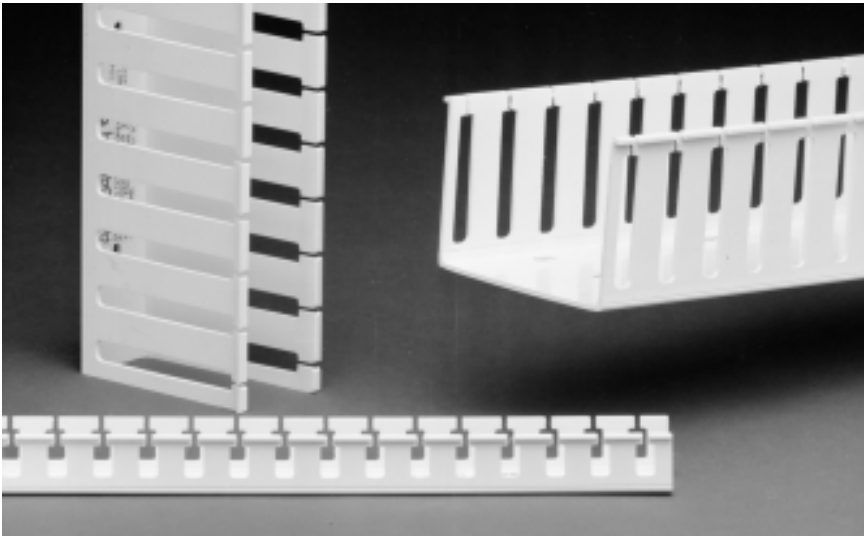


Wiring Duct



Bodies

- Rigid vinyl (PVC)
- Snap-back wire retention to trap wires during installation
- More space at top of hole where most wires are terminated
- Deeper holes at the bottom allow for lower terminations
- Extra strength at the base of the finger
- Smooth buffed edges
- Side holes opposite each other

Covers

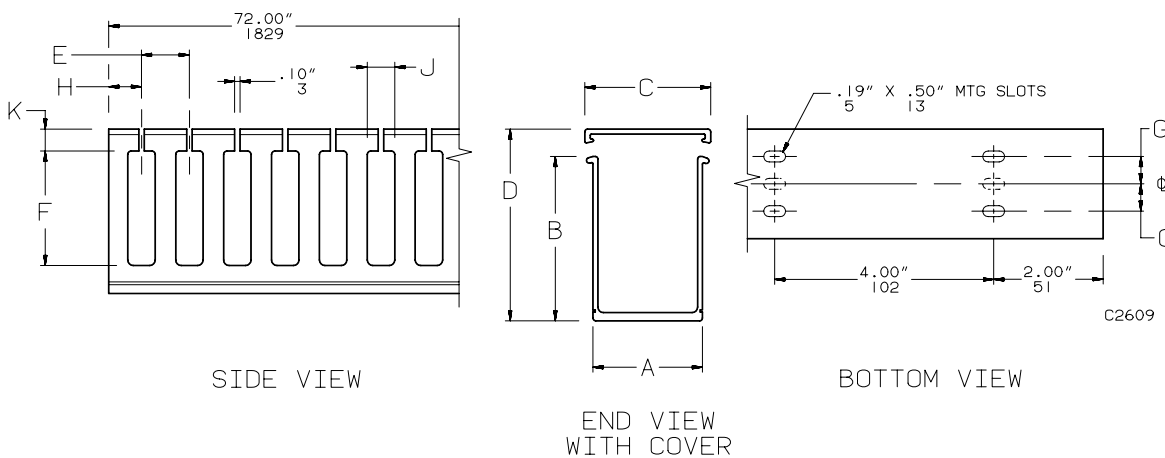
- Hi-impact rigid vinyl
- Patented "No-Slip" snap-on cover interlocks with duct sidewalls to prevent vibration slippage
- Angled and interlocking lips on duct cover and sidewalls permit cover to be "snapped" on

Wiring Duct

- Manages path of wire and cable in enclosures that are located indoors or outdoors
- Provides maximum economy of wire space within enclosures
- All plastic construction permits cutting at any point
- Speeds installation and reduces cost

Industry Standards

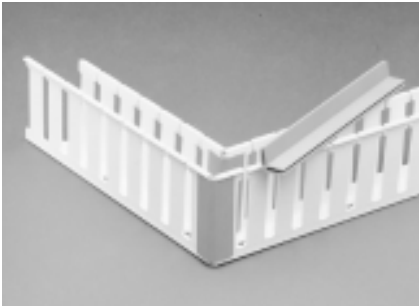
UL Component Recognized
 Flammability Rating
 UL 94V-0
 CSA certified



Standard Sizes Wiring Duct Bodies and Covers

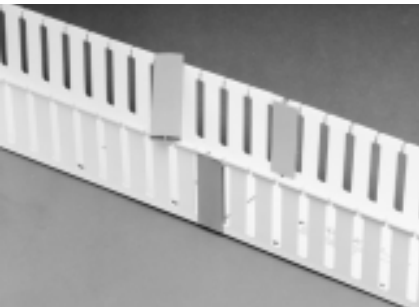
White Catalog Number Duct	White Catalog Number Cover	Nominal Size	A	B	C	D	E	F	G	H	J	K
A050125WH	A050CWH	.50 x 1.25 (13 x 32)	0.62 (16)	1.25 (32)	0.75 (19)	1.35 (34)	0.73 (19)	0.52 (13)	On CL	0.50 (13)	0.31 (8)	0.20 (5)
A100200WH	A100CWH	1.00 x 2.00 (25 x 51)	1.18 (30)	2.00 (51)	1.38 (35)	2.10 (53)	0.73 (19)	1.25 (13)	On CL	0.50 (10)	0.38 (10)	0.38 (32)
A150300WH	A150CWH	1.50 x 3.00 (38 x 76)	1.68 (43)	3.00 (76)	1.88 (79)	3.10 (48)	1.00 (25)	2.25 (57)	On CL	0.50 (13)	0.38 (10)	0.38 (10)
A200200WH	A200CWH	2.00 x 2.00 (51 x 51)	2.18 (55)	2.00 (51)	2.38 (60)	2.10 (53)	0.73 (19)	1.25 (32)	0.50 (13)	0.50 (13)	0.38 (10)	0.38 (10)
A200300WH	A200CWH	2.00 x 3.00 (51 x 76)	2.18 (55)	3.00 (76)	2.38 (60)	3.10 (79)	1.00 (25)	2.25 (57)	0.50 (13)	0.50 (13)	0.38 (10)	0.38 (10)
A200400WH	A200CWH	2.00 x 4.00 (51 x 102)	2.20 (56)	4.00 (102)	2.38 (60)	4.10 (104)	1.00 (25)	3.25 (83)	0.50 (13)	0.50 (13)	0.38 (10)	0.38 (10)
A300300WH	A300CWH	3.00 x 3.00 (76 x 76)	3.18 (81)	3.00 (76)	3.38 (86)	3.10 (79)	1.00 (25)	2.25 (57)	1.00 (25)	0.50 (13)	0.38 (10)	0.38 (10)

Millimeter dimensions () are for reference only; do not convert metric dimensions to inch.



Corner Strips

- Rigid vinyl (PVC)
- Provides smooth rounded corners at duct junctions
- Easily cut to fit any duct height
- Supplied in six foot (two meter) lengths in white or gray



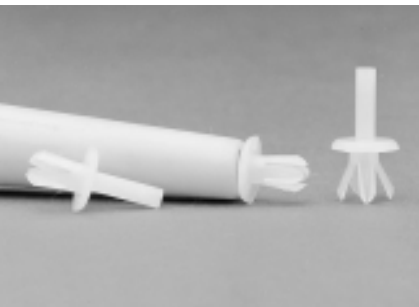
Joining Strips

- Rigid vinyl (PVC)
- Provides smooth connections at duct junctions
- Easily cut to fit any duct height
- Supplied in six foot (two meter) lengths in white or gray



Duct Mounting Clips

- Natural nylon (non-conductive plastic)
- Standard duct segment snaps securely in place
- Recommended clip spacing is one per foot (minimum of two clips per piece of duct are required)
- Mounting clips may be attached with nylon rivets, plated screws (10-32), or self tapping screws
- User must determine suitability for application regarding surface and environment



Rivets

- 100% natural color nylon
- Provides totally insulated installation
- Installation is accomplished with a hammer or installation tool



Rivet Installation Tool

- Grooved top holds nylon rivet securely in place
- Long slender design permits tool to be used in tall, narrow wiring duct and other difficult areas
- Drives center post cleanly through rivet body

Wiring Duct Accessories

Product	Catalog Number	Description
Corner Strips	ACSWH ACSGR	Fit all sizes
Joining Strips	AJSWH AJSGR	Fit all sizes
Mounting Clips (100/pkg.)	A100DMC A150DMC A200DMC	Fit 1.00 (25) Duct Width Fit 1.50 (38) Duct Width Fit 2.00 (51) Duct Width
Mounting Clips (50/pkg.)	A300DMC A400DMC	Fit 3.00 (76) Duct Width Fit 4.00 (102) Duct Width
Rivets	ARVTB1 ARVTB2	100 Quantity 1000 Quantity
Rivet Installation Tool	ARVTOOL	1 Tool