

## COMPACT® Aluminum Type 4X Enclosures



### Construction

- Cast aluminum; no welded seams or sharp corners
- Captivated cover screws are stainless steel
- Cover screws placed outside sealed area
- Two to four grounding screws located on enclosure back wall
- Oil-resistant O-ring gasket with tongue-and-groove construction
- Threaded internal bosses provided for mounting optional panels, rails, and other components
- Mounting holes provided in corners outside of gasketed area

### Finish

RAL 7042 gray finish inside and out. Optional panel is unpainted zinc-plated steel.

### Industry Standards

UL 508A, 508, File No. E61997: Type 4, Type 4X, Type 12, and Type 13  
 NEMA/EEMAC Type 4, Type 4X, Type 12, and Type 13  
 CSA File No. LR42186: Type 4, Type 4X, Type 12, and Type 13  
 IEC 60529, IP66

### Accessories

DIN Type Rails  
 Hinge Kit  
 Mounting Bracket Kit  
 Panels

### Application

Designed as an instrument housing or junction box for electrical, electronic, or pneumatic components in indoor and outdoor applications. Aluminum is particularly durable and well-suited for use in areas where corrosion problems exist.

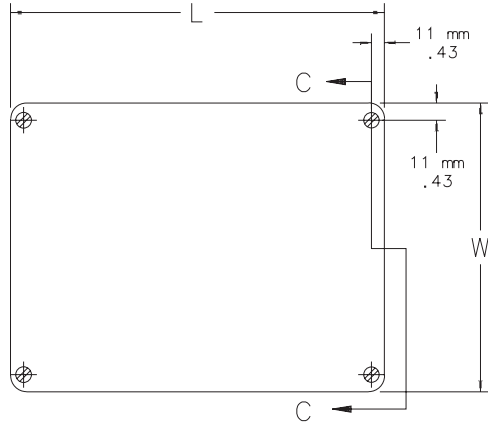
### Standard Sizes COMPACT® Aluminum Type 4X Enclosures

Enclosure Catalog Number	External Dimensions L x W	Internal Dimensions A x B x C	* Panel Catalog Number	Panel Size D x E	Mounting G x H	F	J	K	M	N	T
CCA886 <sup>a</sup>	74.9 x 80.0 (2.95 x 3.15)	67.1 x 71.9 x 47.0 (2.64 x 2.83 x 1.85)	CCAP88	64.0 x 69.1 (2.52 x 2.72)	52.1 x 63.0 (2.05 x 2.48)	41.4 (1.63)	40.9 (1.61)	13.0 (0.51)	30.0 (1.18)	48.0 (1.89)	3.6 (0.14)
CCA1286 <sup>a</sup>	125.0 x 80.0 (4.92 x 3.15)	116.1 x 71.1 x 51.1 (4.57 x 2.80 x 2.01)	CCAP128	114.0 x 69.1 (4.49 x 2.72)	52.1 x 113.0 (2.05 x 4.45)	45.0 (1.77)	41.9 (1.65)	15.0 (0.59)	30.0 (1.18)	48.0 (1.89)	3.6 (0.14)
CCA1886 <sup>a</sup>	175.0 x 80.0 (6.89 x 3.15)	166.9 x 71.9 x 47.0 (6.57 x 2.83 x 1.85)	CCAP188	164.1 x 69.1 (6.46 x 2.72)	52.1 x 163.1 (2.05 x 6.42)	41.4 (1.63)	40.9 (1.61)	13.0 (0.51)	30.0 (1.18)	48.0 (1.89)	3.6 (0.14)
CCA12128	121.9 x 121.9 (4.80 x 4.80)	111.5 x 111.5 x 71.9 (4.39 x 4.39 x 2.83)	CCAP1212	109.0 x 108.2 (4.29 x 4.26)	82.0 x 105.9 (3.23 x 4.17)	63.0 (2.48)	59.9 (2.36)	20.1 (0.79)	52.1 (2.05)	—	4.1 (0.16)
CCA22128	220.0 x 121.9 (8.66 x 4.80)	209.5 x 111.5 x 71.9 (8.25 x 4.39 x 2.83)	CCAP2212	204.2 x 108.2 (8.04 x 4.26)	82.0 x 204.0 (3.23 x 8.03)	63.0 (2.48)	59.9 (2.36)	20.1 (0.79)	52.1 (2.05)	—	4.1 (0.16)
CCA16169	160.0 x 160.0 (6.30 x 6.30)	149.1 x 149.1 x 82.0 (5.87 x 5.87 x 3.23)	CCAP1616	146.0 x 146.0 (5.75 x 5.75)	110.0 x 140.0 (4.33 x 5.51)	72.9 (2.87)	70.1 (2.76)	20.1 (0.79)	75.9 (2.99)	—	4.1 (0.16)
CCA26169	259.8 x 160.0 (10.23 x 6.30)	248.9 x 149.1 x 82.0 (9.80 x 5.87 x 3.23)	CCAP2616	246.1 x 146.0 (9.69 x 5.75)	110.0 x 240.0 (4.33 x 9.45)	72.9 (2.87)	70.1 (2.76)	20.1 (0.79)	75.9 (2.99)	—	4.1 (0.16)
CCA36169	359.9 x 160.0 (14.17 x 6.30)	349.0 x 149.1 x 82.0 (13.74 x 5.87 x 3.23)	CCAP3616	346.2 x 146.0 (13.63 x 5.75)	110.0 x 340.1 (4.33 x 13.39)	72.9 (2.87)	70.1 (2.76)	20.1 (0.79)	75.9 (2.99)	—	4.1 (0.16)
CCA202311	199.9 x 230.1 (7.87 x 9.06)	188.5 x 218.4 x 102.6 (7.42 x 8.60 x 4.04)	CCAP2023	185.2 x 215.1 (7.29 x 8.47)	180.1 x 180.1 (7.09 x 7.09)	93.0 (3.66)	89.9 (3.54)	20.1 (0.79)	80.0 (3.15)	144.0 (5.67)	4.1 (0.16)
CCA332311	329.9 x 230.1 (12.99 x 9.06)	318.5 x 218.4 x 102.1 (12.54 x 8.60 x 4.02)	CCAP3323	315.2 x 215.1 (12.41 x 8.47)	180.1 x 309.9 (7.09 x 12.20)	93.0 (3.66)	89.9 (3.54)	20.1 (0.79)	80.0 (3.15)	144.0 (5.67)	4.1 (0.16)
CCA332318	329.9 x 230.1 (12.99 x 9.06)	319.0 x 218.9 x 172.0 (12.56 x 8.62 x 6.77)	CCAP3323	315.2 x 215.1 (12.41 x 8.47)	180.1 x 309.9 (7.09 x 12.20)	162.1 (6.38)	160.0 (6.30)	20.1 (0.79)	100.1 (3.94)	144.0 (5.67)	4.1 (0.16)

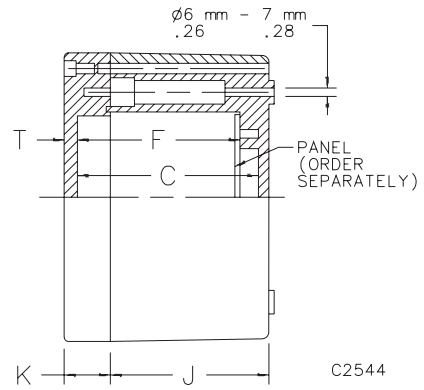
Inch dimensions in ( ).

\* Panels must be ordered separately.

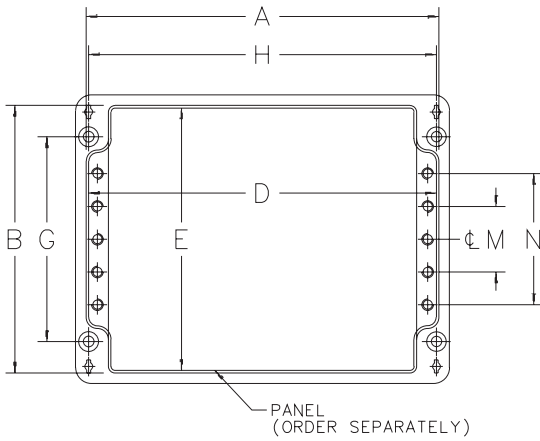
<sup>a</sup> These enclosures have only two mounting holes.



TOP VIEW



SECTION C-C



TOP VIEW WITH COVER REMOVED

**COMPACT® Aluminum Type 4X Enclosures Accessories**



**Hinge Kit**

Made of die-cast aluminum. Angle rotation approximately 170 degrees. Mounting template and stainless steel hardware included. Two hinges per kit.

Catalog Number
CCAHK



**Mounting Bracket Kits**

Mounting brackets are made of non-corrosive 12 gauge steel alloy. Two or four brackets per kit. Stainless steel mounting screws and installation instructions are included.

Catalog Number	Description
CCAMF12	Two brackets
CCAMF16	Two brackets
CCAMF31	Four brackets



**Panels**

Made of clear zinc-plated steel. Permits electro-mechanical components to be mounted inside the enclosure.

Catalog Number	Panel Size D x E
CCAP88	2.52 x 2.72 (64 x 69)
CCAP128	4.49 x 2.72 (114 x 69)
CCAP188	6.46 x 2.72 (164 x 69)
CCAP1212	4.29 x 4.26 (109 x 108)
CCAP2212	8.04 x 4.26 (204 x 108)
CCAP1616	5.75 x 5.75 (146 x 146)
CCAP2616	9.69 x 5.75 (246 x 146)
CCAP3616	13.63 x 5.75 (346 x 146)
CCAP2023	7.29 x 8.47 (185 x 215)
CCAP3323	12.41 x 8.47 (315 x 215)
CCAP6031	23.05 x 11.58 (585 x 294)

Millimeter dimensions in ( ); do not convert metric dimensions to inch.



**DIN Type Rails**

Receive terminal blocks, relays, switches, filters, timers, and various other electrical and electronic components. Lengths fit size of enclosure. Depending on the type of clamp, TS-15-(S1) or TS-35-(S2) rail is used. All DIN rails have yellow chromate plating. Made of zinc-plated steel.

Catalog Number
CCADR8S1
CCADR12S1
CCADR18S1
CCADR12S2
CCADR22S2
CCADR16S2
CCADR26S2
CCADR36S2
CCADR20S2
CCADR33S2
CCADR60S2

Accessory Selection Matrix Aluminum Type 4X Enclosures											
Catalog Number	CCA886	CCA1286	CCA1886	CCA12128	CCA22128	CCA16169	CCA26169	CCA36169	CCA202311	CCA332311	CCA332318
<b>Hinge Kit</b>											
CCAHK				•	•	•	•	•	•	•	•
<b>Mounting Bracket Kit</b>											
CCAMF12				•	•						
CCAMF16						•		•			
CCAMF31									•	•	•
<b>Panels</b>											
CCAP88	•										
CCAP128		•									
CCAP188			•								
CCAP1212				•							
CCAP2212					•						
CCAP1616						•					
CCAP2616							•				
CCAP3616								•			
CCAP2023									•		
CCAP3323										•	•
<b>DIN Type Rails</b>											
CCCADR8S1	•										
CCCADR12S1		•									
CCCADR18S1			•								
CCCADR12S2				•							
CCCADR22S2					•						
CCCADR16S2						•					
CCCADR26S2							•				
CCCADR36S2								•			
CCCADR20S2									•		
CCCADR33S2										•	•